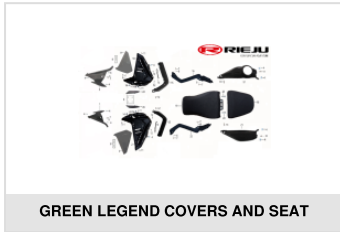
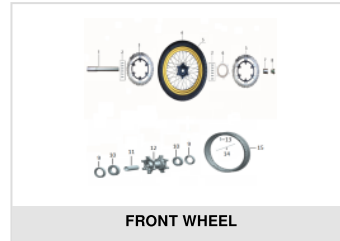
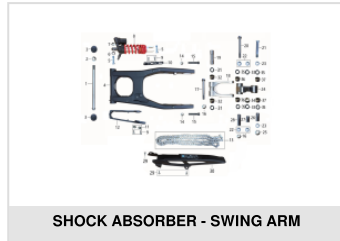
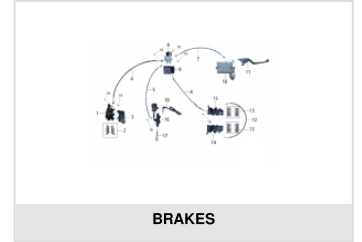
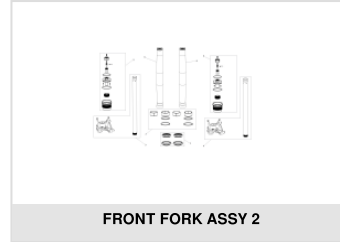
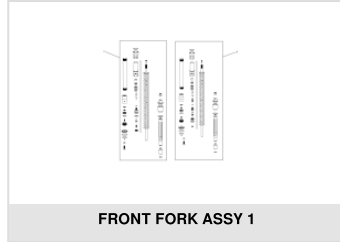
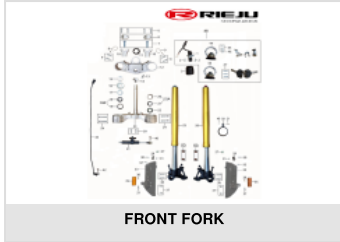
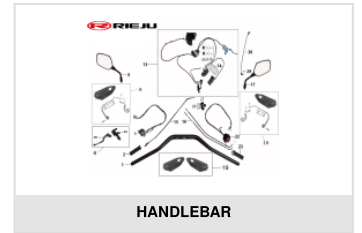
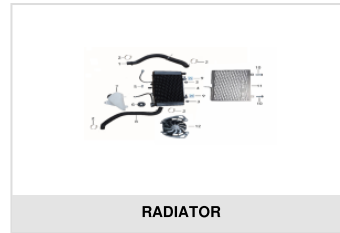
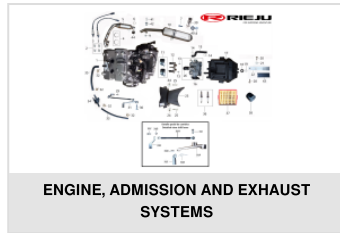
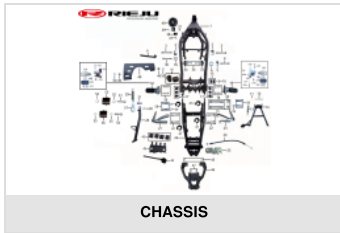


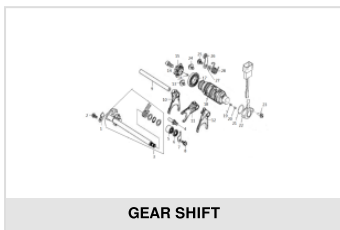
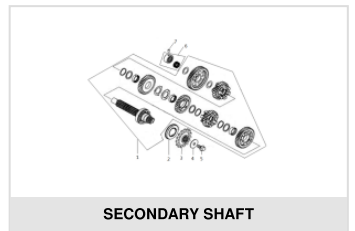
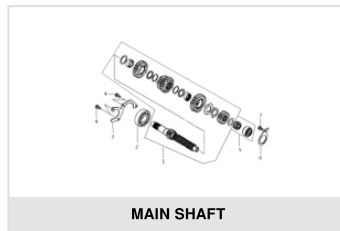
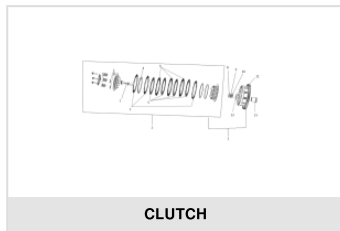
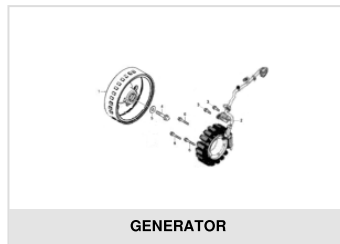
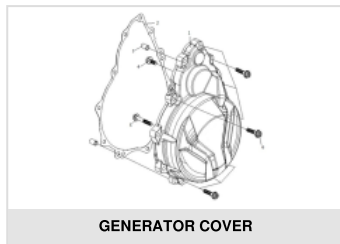
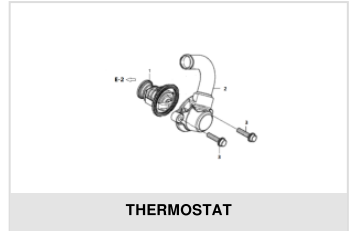
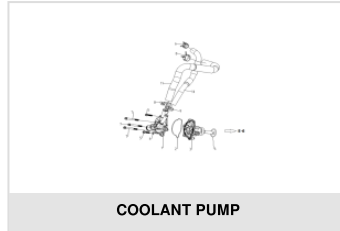
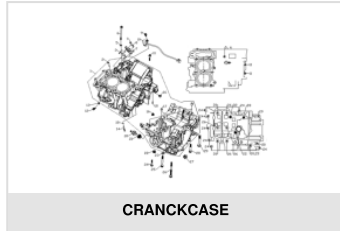
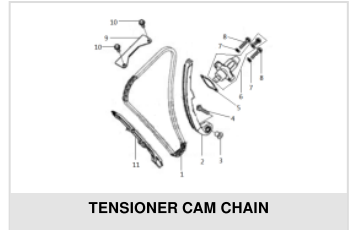
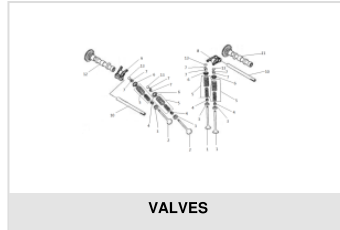
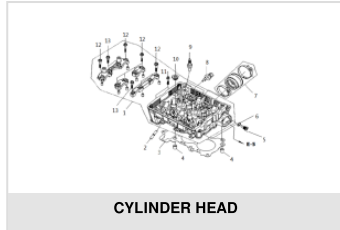
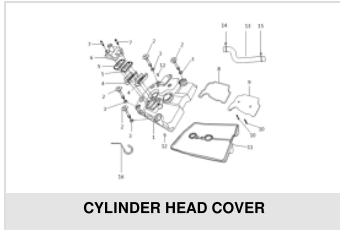


# **AVENTURA 500 AVENTURA 500 LEGEND 2023**

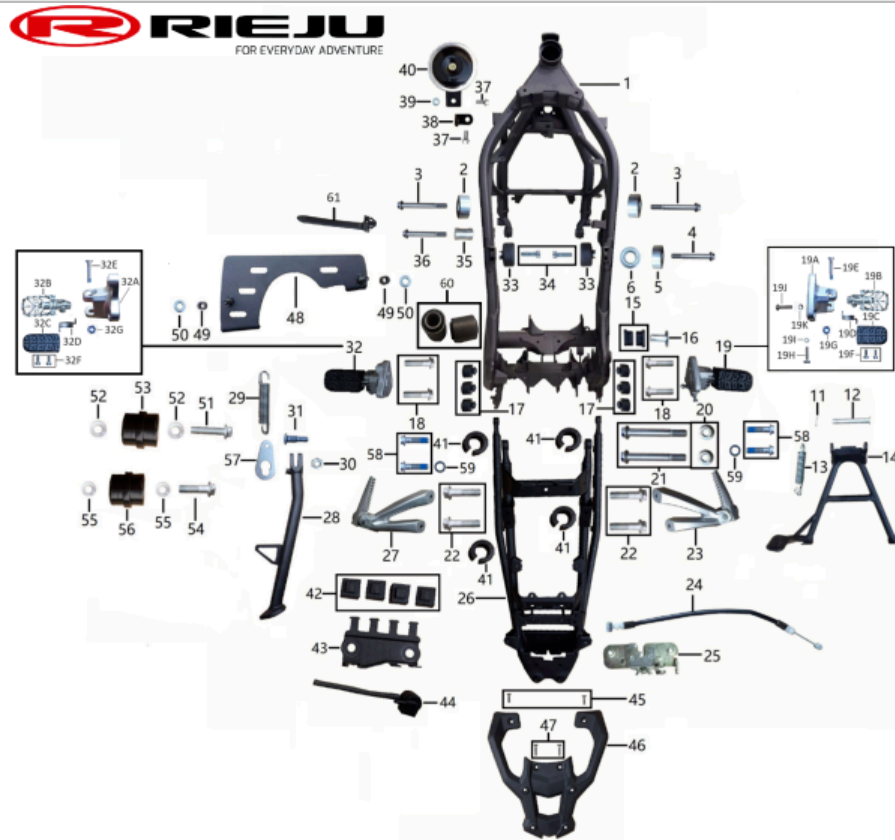
## **Exploded**



**MOTOR AVENTURA 500**



**CHASSIS**



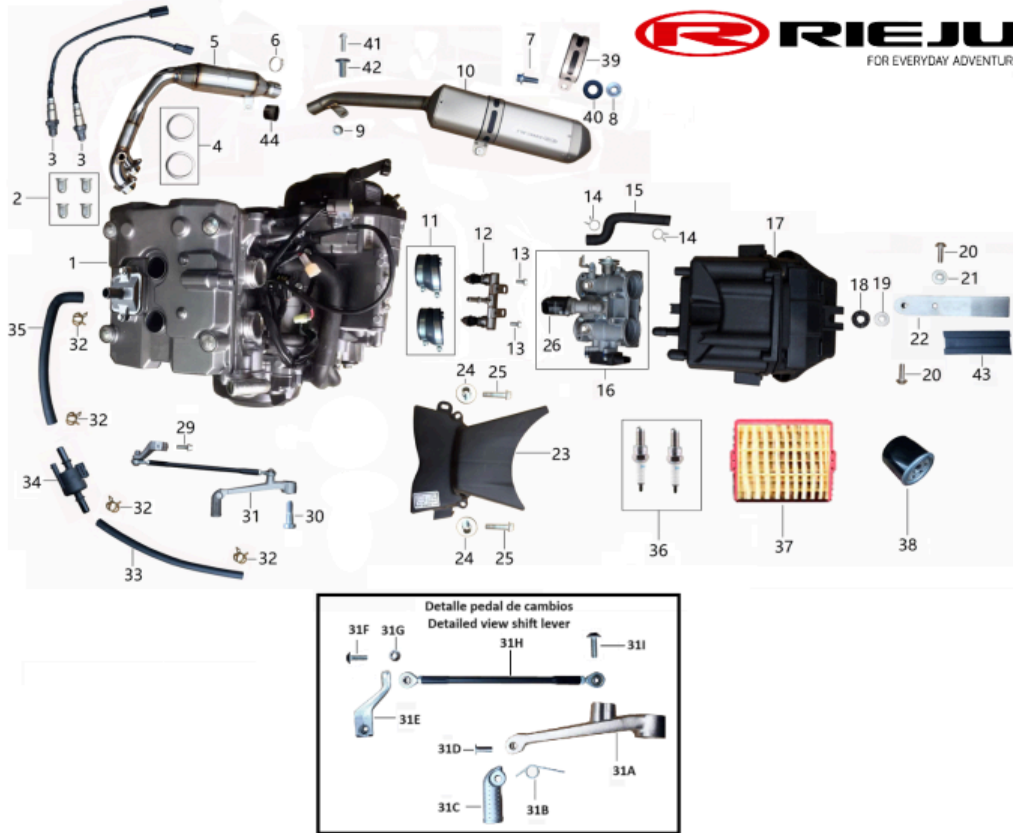
1	frame assy 0/000.010.4401 (u. 1)
2	R lower suspension bushing f10*f24*10 0/000.960.4403 (u. 1)
3	GB/T5787 hex head bolt M10*85 0/000.460.4423 (u. 1)
4	GB/T5787hex head bolt M10*60 0/000.460.4424 (u. 1)
5	R upper suspension bushing f10*f24*8 0/000.960.4404 (u. 1)
6	GB6177 M10 0/000.340.4410 (u. 1)
11	cotter pinGB91 f2.5*30 0/005.490.4401 (u. 1)
12	main stand axle 0/000.190.4402 (u. 1)
13	main stand spring(double spring) 0/000.470.4401 (u. 1)
14	main stand 0/000.210.4401 (u. 1)
15	muffer lug rubber 0/000.360.4423 (u. 2)
16	muffer lug bushing f6*20 0/000.480.4419 (u. 1)
17	rear fuel tank cushioning rubber 0/000.360.4405 (u. 6)
18	GB/T5787 hex head bolt with disc M8*30 0/000.460.4413 (u. 4)
19	front R footrest assy 0/000.740.4401 (u. 1)

<b>19A</b>	SOPORTE ESTRIBERA RH 0/000.980.4436 (u. 1)
<b>19B</b>	ESTRIBERA RH AV 500 0/000.740.4406 (u. 1)
<b>19C</b>	GOMA ESTRIBERA AV 500 0/000.360.4437 (u. 1)
<b>19D</b>	Front right Footrest return spring 0/000.470.4410 (u. 1)
<b>19E</b>	TORNILLO PASADOR ESTRIBERA 0/000.460.4516 (u. 1)
<b>19F</b>	TORNILLO GOMA ESTRIBERA M6x8 0/000.460.4517 (u. 2)
<b>19G</b>	GB6187 M10 0/000.340.4411 (u. 1)
<b>19H</b>	TORNILLO M6x25 0/000.460.4518 (u. 1)
<b>19I</b>	GB6177 M6 0/000.340.4405 (u. 1)
<b>19J</b>	HEX SCREW M6x30 HEAD 8 0/000.460.0223 (u. 1)
<b>19K</b>	NUT DIN 6923 M6 Cal.6 Z/WHITE 0/000.340.0016 (u. 1)
<b>20</b>	GB6177 M6 0/000.340.4405 (u. 2)
<b>21</b>	rear suspension bolt M10*148 0/000.460.4425 (u. 2)
<b>22</b>	GB/T5787hex head bolt M8*25 0/000.460.4426 (u. 4)
<b>23</b>	rear R footrest 0/000.740.4402 (u. 1)
<b>24</b>	seat cushion lock cable 0/000.550.4403 (u. 1)
<b>26</b>	rear tail bracket assy 0/000.010.4402 (u. 1)
<b>27</b>	rear L footrest 0/000.740.4403 (u. 1)
<b>28</b>	side stand 0/000.210.4402 (u. 1)
<b>29</b>	side stand spring(double spring) 0/000.470.4402 (u. 1)
<b>30</b>	M8 NUT 0/000.340.4425 (u. 1)
<b>31</b>	side stand bolt M10*35 0/000.460.4435 (u. 1)
<b>32</b>	front L footrest 0/000.740.4404 (u. 1)
<b>32A</b>	SOPORTE ESTRIBERA LH 0/000.980.4435 (u. 1)
<b>32B</b>	ESTRIBERA LH 0/000.740.4405 (u. 1)
<b>32C</b>	GOMA ESTRIBERA AV 500 0/000.360.4437 (u. 1)
<b>32D</b>	Front left Footrest return spring 0/000.470.4409 (u. 1)
<b>32E</b>	TORNILLO PASADOR ESTRIBERA 0/000.460.4516 (u. 1)

32F	TORNILLO GOMA ESTRIBERA M6x8 0/000.460.4517 (u. 2)	
32G	GB6187 M10 0/000.340.4411 (u. 1)	
33	front fuel tank locating rubber 0/000.360.4411 (u. 2)	
34	GB/T 70 M8*25 0/000.460.4434 (u. 2)	
35	L upper susension bushing f10*f22*30 0/000.960.4405 (u. 1)	
36	GB/T5787hex head bolt M10*75 0/000.460.4432 (u. 1)	
37	GB/T5787hex head bolt M16*16 0/000.460.4433 (u. 2)	
38	horn connection bracket 0/000.980.4410 (u. 1)	
39	GB6177 M6 0/000.340.4405 (u. 1)	
40	horn 0/000.420.4401 (u. 1)	
41	fuel tank cushioning rubber 0/000.360.4407 (u. 4)	
42	start relay rubber sleeve 0/000.360.4408 (u. 4)	
43	start relay bracket 0/000.980.4411 (u. 1)	
44	dump valve 0/000.640.4403 (u. 1)	
45	inner hex flange bolt M8*30 0/000.460.4436 (u. 2)	
46	rear armrest 0/000.980.4412 (u. 1)	
47	inner hex flange bolt M8*35 0/000.460.4437 (u. 2)	
48	SOPORTE DEPOSITO TRASERO 0/000.980.4433 (u. 1)	
49	SILENTBLOCK SOPORTE DEPOSITO TRASERO 0/000.360.4436 (u. 2)	
50	GB6177 M8 0/000.340.4412 (u. 2)	
51	TORNILLO GB/T5787 M8x45 0/000.460.4513 (u. 1)	
52	FLAT WASHER DIN 125/A M8 Z/WHITE 0/000.440.0160 (u. 2)	
53	RODILLO GUIA CADENA SUPERIOR 0/000.710.4403 (u. 1)	
54	TORNILLO GB/T5787 M10x40 0/000.460.4514 (u. 1)	
55	GB97 f10 0/000.440.4412 (u. 2)	
56	RODILLO GUIA CADENA INFERIOR 0/000.710.4404 (u. 1)	
57	SOPORTE RETORNO MUELLE CABALLETE 0/000.980.4434 (u. 1)	<b>Obsolete</b>
58	GB/T5787 Inner hexagon flange bolt M10*40*1.5 (tail frame) 0/000.460.4515 (u. 4)	

<b>59</b>	GB93f10 (tail frame) 0/000.440.4429 (u. 2)
<b>60</b>	SILENTBLOCK CHASSIS AVENTURA 500 0/000.360.4438 (u. 2)
<b>61</b>	CLAMP CLIP AV 500 0/000.680.4414 (u. 2)

**ENGINE, ADMISSION AND EXHAUST SYSTEMS**

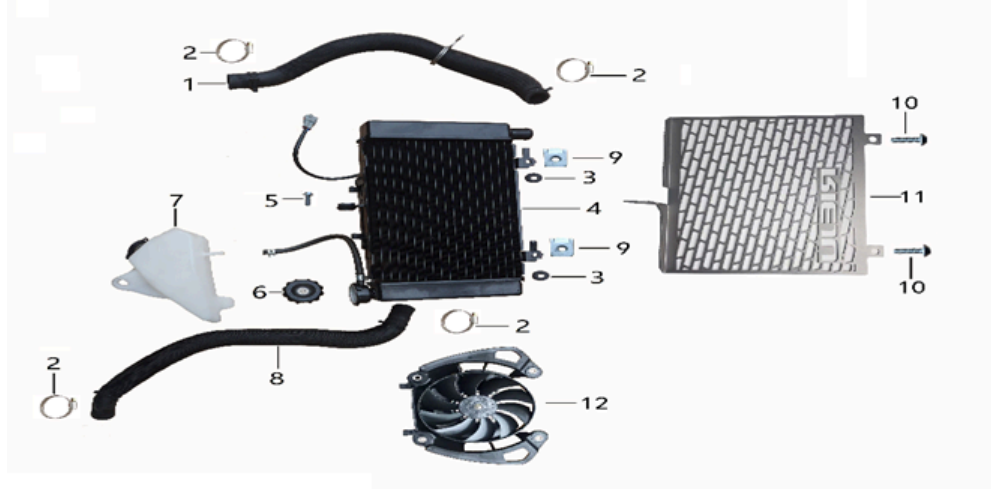


1	engine assy 0/005.082.4401 (u. 1)
2	nut M8 0/000.340.4401 (u. 4)
3	oxygent sensor 0/001.010.4402 (u. 2)
4	silentblock of muffler 0/000.490.4401 (u. 2)
5	exhaust pipe 0/000.290.4401 (u. 1)
6	clip 304SS 48-51mm 0/000.680.4405 (u. 1)
7	GB/T5787 hex head bolt with disc M8*25 0/000.460.4419 (u. 2)
8	GB/T 96 f8 0/000.440.4407 (u. 2)
9	GB6177 M8 0/000.340.4409 (u. 1)
10	muffler 0/000.870.4401 (u. 1)
11	intake pipe 0/000.360.4404 (u. 2)
12	fuel spray nozzle assembly 0/005.158.4401 (u. 1)
13	mushroom head bolt M6*12 0/000.460.4421 (u. 2)
14	oil pipe clip 0/000.680.4406 (u. 1)
15	pipe 0/000.290.4402 (u. 1)

16	throttle body assembly 0/005.158.4402 (u. 1)
17	air filter assy 0/000.910.4401 (u. 1)
18	rubber seal 0/000.360.4410 (u. 1)
19	GB/T 96 f6 0/000.440.4402 (u. 1)
20	mushroom head bolt M6*20 0/000.460.4411 (u. 2)
21	flang bushing Ø6*10 0/000.480.4402 (u. 1)
22	BATEERY plate 0/000.980.4419 (u. 1)
23	engine tail cover 0/000.220.4411 (u. 1)
24	flang bushing Ø6*12 0/000.480.4403 (u. 2)
25	GB/T5787 hex flange bolt with disc M6*20 0/000.460.4405 (u. 2)
26	IDLE ADJUSTMENT VALVE AV500 0/000.640.4410 (u. 1)
29	GB/T5787 hex flange bolt with disc M6*20 0/000.460.4405 (u. 1)
30	GB/T5787 step bolt M8*25 0/000.460.4452 (u. 1)
31	gear shift lever assy 0/005.430.4401 (u. 1)
31A	CUERPO PALANCA CAMBIO 0/005.430.4404 (u. 1)
31B	MUELLE RETORNO PEDAL CAMBIO 0/000.470.4408 (u. 1)
31C	PUNTERA PADAL CAMBIO 0/005.430.4405 (u. 1)
31D	Shift lever lower arm pedal connecting pin 0/000.190.4412 (u. 1)
31E	ACTUADOR PEDAL CAMBIO 0/005.430.4406 (u. 1)
31F	mushroom head inner hex bolt M6*16 0/000.460.4406 (u. 1)
31G	TUERCA M6 PEDAL CAMBIO 0/000.340.4426 (u. 1)
31H	EJE PALANCA CAMBIO ACTUADOR 0/000.190.4413 (u. 1)
31I	mushroom head inner hex bolt M6*25 0/000.460.4410 (u. 1)
32	oil pipe clip 0/000.680.4407 (u. 4)
33	electric valve connection rubber hose A 0/000.290.4410 (u. 1)
34	electric valve assy 0/000.640.4404 (u. 1)
35	electric valve connection rubber hose B 0/000.290.4411 (u. 1)
36	spark plug 0/005.110.4401 (u. 2)

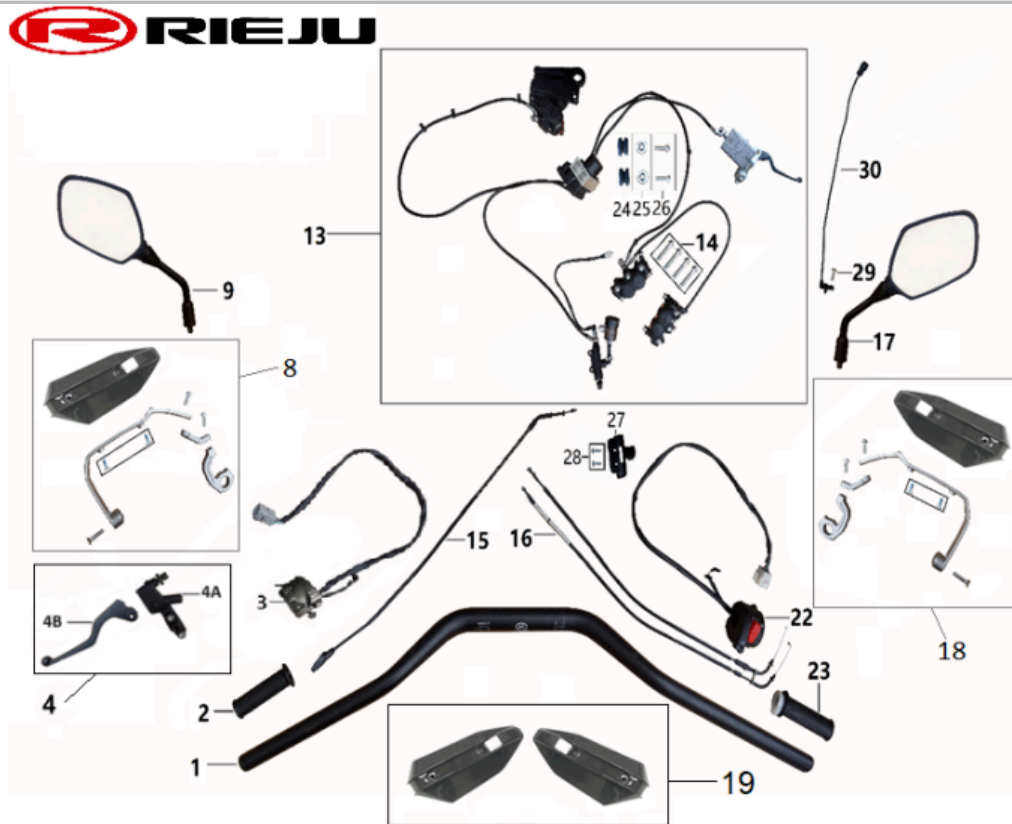
37	AIR FILTER 0/001.070.4703 (u. 1)
38	oil filter cartridge 0/001.070.4402 (u. 1)
39	ABRAZADERA SUJECION SILENCIOSO 0/000.680.4415 (u. 1)
40	rubber seal f28*f14*8 0/000.360.4434 (u. 1)
41	TORNILLO SUJECION SILENCIOSO M8x50 0/000.460.4512 (u. 1)
42	CASQUILLO SUJECION SILENCIOSO 0/000.480.4428 (u. 1)
43	GOMA FIJACION BATERIA 0/000.360.4435 (u. 1)
44	muffer pad 0/000.260.4401 (u. 1)

**RADIATOR**



1	intake pipe 0/000.290.4408 (u. 1)
2	clip Ø29 0/000.680.4409 (u. 1)
3	rubber seal 0/000.360.4420 (u. 1)
4	water tank assy 0/000.580.4401 (u. 1)
5	GB/T5787 hex head bolt with disc M6*16 0/000.460.4417 (u. 1)
6	water tank cover 0/000.410.4401 (u. 1)
7	return water bottle 0/000.030.4404 (u. 1)
8	return water pipe 0/000.290.4409 (u. 1)
9	nut clip M6 0/000.340.4404 (u. 2)
10	GB/T 5787 inner hex flange bolt M6*16 0/000.460.4460 (u. 2)
11	water tank decoration plate 0/000.220.4414 (u. 1)
12	fan 0/005.060.4401 (u. 1)

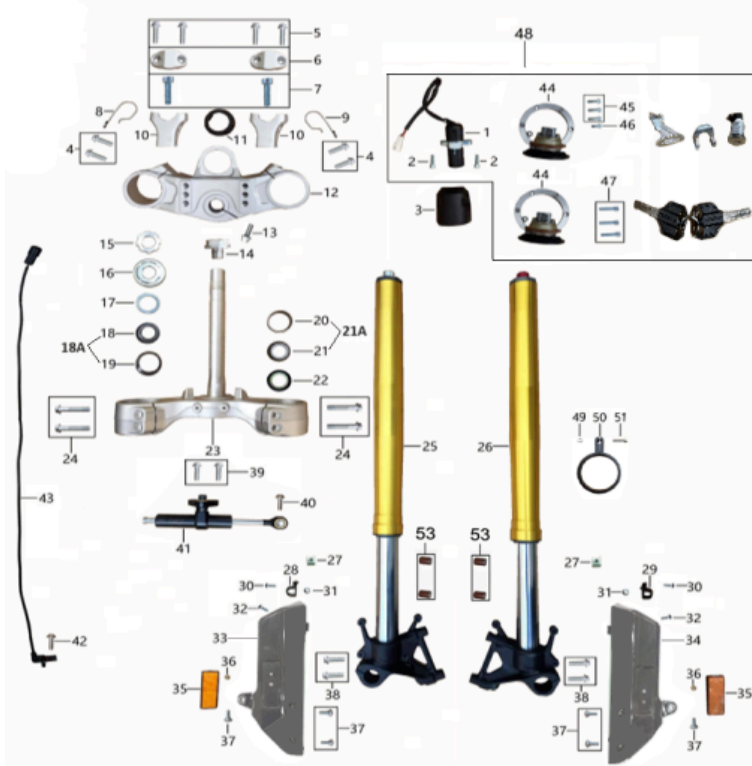
**HANDLEBAR**



1	handlebar 0/000.170.4401 (u. 1)
2	L handgrip 0/000.530.4401 (u. 1)
3	L switch assy 0/000.720.4401 (u. 1)
4	clutch lever Assy with support 0/000.830.4401 (u. 1)
4A	clutch lever bracket 0/000.980.4432 (u. 1)
4B	CLUTCH LEVER 0/000.830.4403 (u. 1)
8	AVENTURA 500 LH HAND GUARD KIT 0/K00.220.4401 (u. 1)
9	L rear-view mirror 0/000.990.4401 (u. 1)
13	disc brake assy with bolt and rubber seal 0/000.820.4401 (u. 1)
14	GB5787 M10*60 0/000.460.4404 (u. 4)
15	clutch cable 0/000.550.4401 (u. 1)
16	throttle cable assy 0/000.550.4402 (u. 1)
17	R rear-view mirror 0/000.990.4402 (u. 1)
18	AVENTURA 500 RH HAND GUARD KIT 0/K00.220.4402 (u. 1)
19	SET OF HANDGUARD PLASTICS AVENTURA 500 0/K00.220.4403 (u. 1) - Paramanos negros sin tornillería

22	R switch assy 0/000.720.4402 (u. 1)
23	R handle 0/000.530.4402 (u. 1)
24	rubber seal Ø18*Ø9*9 0/000.360.4401 (u. 2)
25	flang bushing Ø6 0/000.440.4401 (u. 2)
26	GB/T5787 hex flange bolt with disc M6*20 0/000.460.4405 (u. 2)
27	rear disc brake upper pump trim cover 0/000.220.4403 (u. 1)
28	mushroom head inner hex bolt M6*16 0/000.460.4406 (u. 2)
29	bolt M6*20 0/000.460.4427 (u. 1)
30	ABS rear induction cable 0/001.010.4403 (u. 1)

**FRONT FORK**



ALLEN SCREW ISO 4762 - M8X25 (Z/WHITE)  
0/000.460.0345 (u. 2)

2

TORNILLO CILINDRICO HEXAGONAL M8x25  
0/000.460.4412 (u. 2)

Obsoleto

3

ignition cover  
0/000.220.4405 (u. 1)

4

GB/T5787 hex head bolt with disc M8\*30  
0/000.460.4413 (u. 4)

5

GB/T5787 inner hex flange bolt M8\*30  
0/000.460.4463 (u. 4)

6

handlebar upper mount  
0/000.350.4401 (u. 2)

7

circle head inner hex boltM10\*35  
0/000.460.4414 (u. 2)

8

clutch hook  
0/000.680.4401 (u. 1)

9

throttle hook  
0/000.680.4402 (u. 1)

10

handlebar lower mount  
0/000.350.4402 (u. 2)

11

ignition trim cover  
0/000.220.4406 (u. 1)

12

steering stem upper clamp  
0/000.660.4401 (u. 1)

13

GB/T5787 hex head bolt with disc M8\*20  
0/000.460.4415 (u. 1)

14

locking nut of upper clamp M16  
0/000.340.4419 (u. 1)

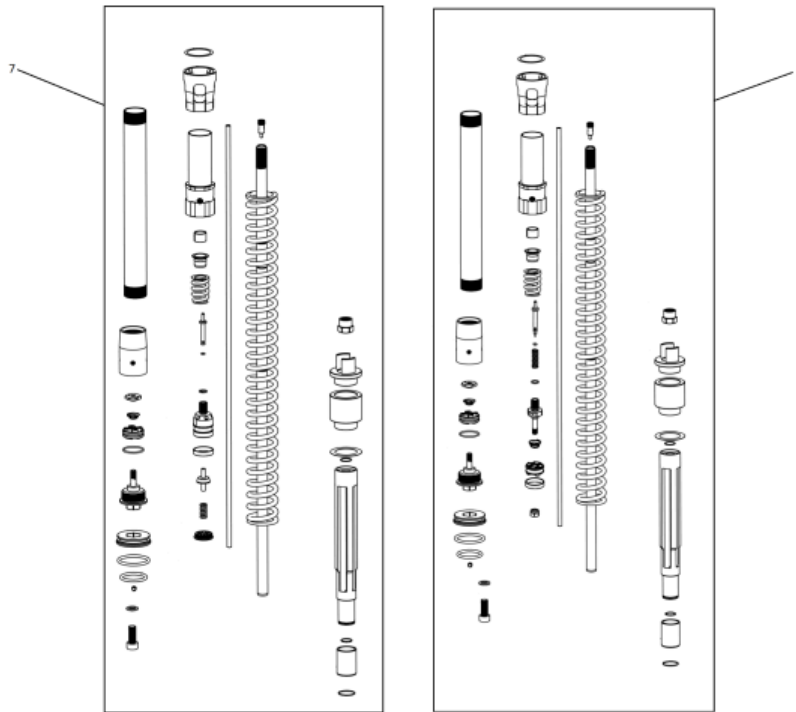
15

locking nut of steering stem  
0/000.340.4406 (u. 1)

16	nut of steering stem 0/000.340.4407 (u. 1)	
17	washer of steering stem 0/000.440.4406 (u. 1)	
18	RODAMIENTO SUPERIOR DIRECCION 0/000.960.4401 (u. 1)	Obsolete
18A	UPPER STEERING BEARING KIT 0/K00.960.4401 (u. 1)	
19	PISTA EXTERIOR RODAMIENTO SUPERIOR DIRECCION 0/000.960.4402 (u. 1)	Obsolete
20	PISTA EXTERIOR RODAMIENTO SUPERIOR DIRECCION 0/000.960.4402 (u. 1)	Obsolete
21	RODAMIENTO SUPERIOR DIRECCION 0/000.960.4401 (u. 1)	Obsolete
21A	LOWER STEERING BEARING KIT 0/K00.960.4402 (u. 1)	
22	dustproof ring 0/000.200.4401 (u. 1)	
23	lower clamp assy 0/000.660.4402 (u. 1)	
24	GB/T5787 hex head bolt with disc M8*40 0/000.460.4416 (u. 4)	
25	front R shock 0/000.130.4401 (u. 1)	
26	FRONT L SHOCK 0/000.130.4402 (u. 1)	
27	nut clip M6 0/000.340.4404 (u. 2)	
28	R disc brake cable clamp 0/000.680.4403 (u. 1)	
29	L disc brake cable clamp 0/000.680.4404 (u. 1)	
30	GB/T5787 hex flange bolt with disc M6*20 0/000.460.4405 (u. 2)	
31	GB6177 M6 0/000.340.4405 (u. 2)	
32	mushroom head inner hex bolt M6*16 0/000.460.4406 (u. 2)	
33	R shock guard BLACK 0/000.220.4407 (u. 1)	
34	L shock guard BLACK 0/000.220.4409 (u. 1)	
35	front R reflector 0/000.630.4401 (u. 1)	
36	locking nut of steering stem 0/000.340.4406 (u. 2)	
37	semi ball head step inner hex M6*16 0/000.460.4418 (u. 6)	
38	GB/T5787 hexagonal bolt M8*20 0/000.460.4403 (u. 4)	
39	GB/T5787 hex head bolt with disc M8*25 0/000.460.4419 (u. 2)	
40	mushroom head inner hex boltM8*25 0/000.460.4420 (u. 1)	
41	steering resistance device 0/000.180.4401 (u. 1)	

42	bolt M6*20 0/000.460.4427 (u. 1)	
43	SENSOR VELOCIDAD 0/001.010.4404 (u. 1)	Obsolete
45	ALLEN SCREW DIN 912 M5x16 GRADE 8.8 Z/WHITE 0/000.460.0285 (u. 3)	
46	SCREW DIN 912 ALLEN M5x12 CAL.8.8 Z/WHITE 0/000.460.0280 (u. 1)	
47	ALLEN SCREW DIN 912 M5x20 GRADE 8.8 ZINC/WHITE 0/000.460.0290 (u. 3)	
48	ALL LOCK 0/001.060.4401 (u. 1)	
49	TUERCA M4 0/000.440.4430 (u. 1)	
50	ABRAZADERA HORQUILLA / TUBO FRENO DEL. 0/000.680.4416 (u. 1)	
51	SCREW DIN 912 Allen M4x16 Cal.8.8 Z/WHITE 0/000.460.0204 (u. 1)	
53	SEPARADOR Ø14xØ10xØ19 0/000.480.4429 (u. 4)	

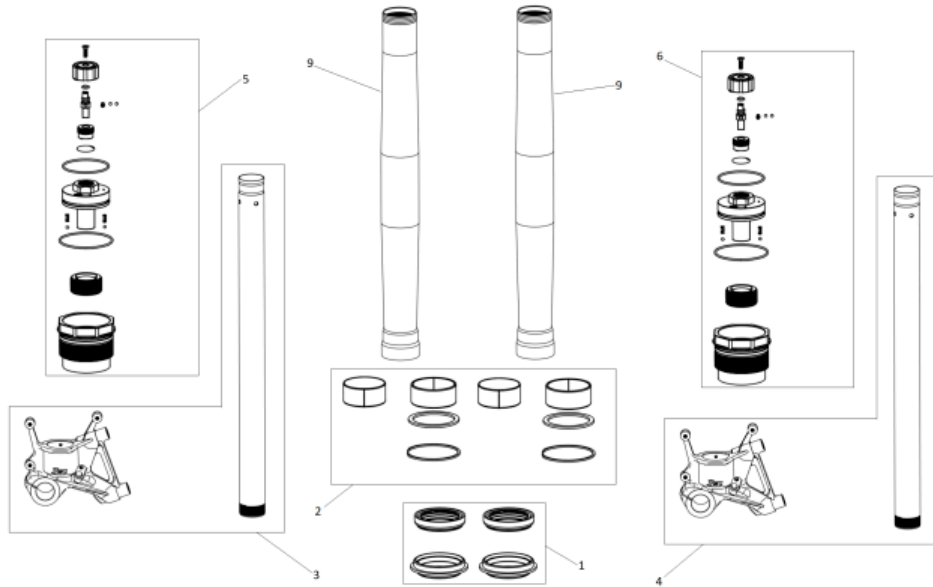
**FRONT FORK ASSY 1**



**7** Cartridge Kit LH (Left Side)  
0/000.130.4403 (u. 1)

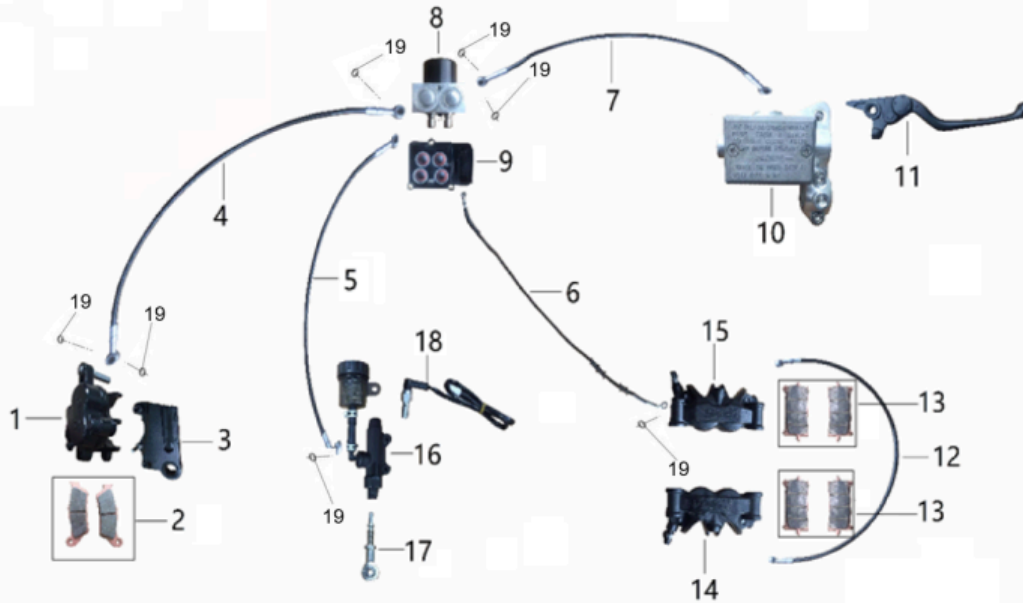
**8** Cartridge Kit RH (Right Side)  
0/000.130.4404 (u. 1)

**FRONT FORK ASSY 2**



1	OIL SEAL KIT LH+RH 0/000.890.4412 (u. 1)
2	FRICTION BUSHING KIT LH+RH 0/000.480.4426 (u. 1)
3	LEFT FORK TUBE AND TOE KIT 0/000.880.4401 (u. 1)
4	RIGHT FORK TUBE AND TOE KIT 0/000.880.4402 (u. 1)
5	LEFT FORK TUBE UPPER PLUG KIT 0/000.410.4406 (u. 1)
6	RIGHT FORK TUBE UPPER PLUG KIT 0/000.410.4407 (u. 1)
9	SUSPENSION TUBE RIGHT/LEFT 0/000.880.4403 (u. 2)

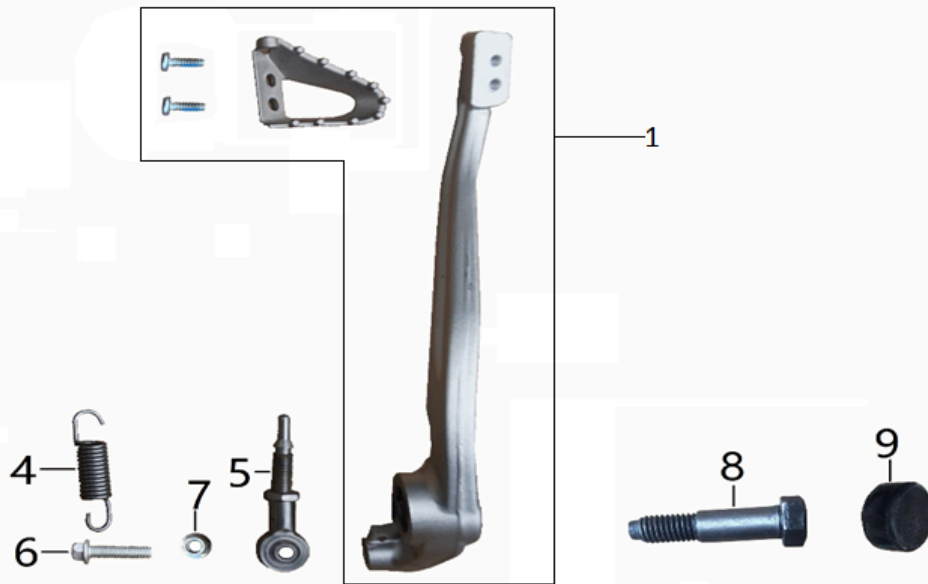
**BRAKES**



1	rear disc brake rear pump body 0/000.860.4402 (u. 1)
2	rear brake pads 0/000.930.4401 (u. 1)
3	rear disc brake bracket 0/000.980.4415 (u. 1)
4	ABS ECU and rear disc brake rear pump body connection tube 0/000.290.4403 (u. 1)
5	ABS ECU and rear disc brake oil pump assembly connection tube 850mm 0/000.290.4404 (u. 1)
6	ABS ECU and front disc brake lower pump assembly connection tube 0/000.290.4405 (u. 1)
7	ABSECU and front disc brake upper pump assembly connection tube 0/000.290.4406 (u. 1)
8	ABS UNIT 0/000.640.4402 (u. 1)
9	ABS ECU 0/005.705.4401 (u. 1)
10	front disc brake upper pump assembly 0/000.820.4402 (u. 1)
11	front disc brake handle 0/000.830.4402 (u. 1)
12	front left and right disc brake lower pump body assembly connection tube 0/000.290.4407 (u. 1)
13	front brake pads 0/000.930.4402 (u. 2)
14	right front disc brake lower pump assembly 0/000.860.4403 (u. 1)
15	left front disc brake lower pump assembly 0/000.860.4404 (u. 1)
16	rear disc brake oil pump assembly 0/000.820.4403 (u. 1)

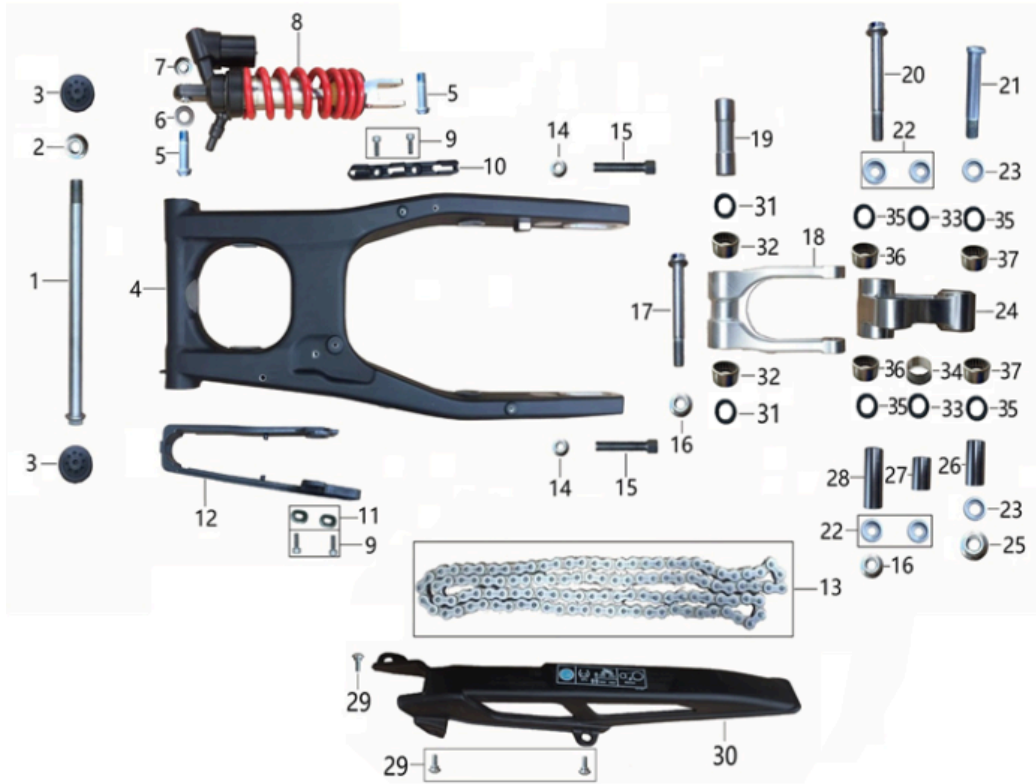
<b>17</b>	rear disc brake thimble 0/000.460.4468 (u. 1)
<b>18</b>	rear brake switch cable 0/000.720.4405 (u. 1)
<b>19</b>	<b>BRAKE COPPER WASHER</b> 0/000.440.4731 (u. 16)

**BRAKE PEDAL**



1	SET REAR BRAKE LEVER AVENTURA 500 0/K00.730.4401 (u. 1)
4	return spring 0/000.470.4403 (u. 1)
5	rear disc brake thimble 0/000.460.4468 (u. 1)
6	SCREW M6x25 HEXAGONAL TORX T30 0/000.460.4510 (u. 1)
7	GB/T6177 self-locking nut M6 0/000.340.4418 (u. 1)
8	GB/T5783 step bolt M8*35 0/000.460.4453 (u. 1)
9	brake lever trim cover 0/000.350.4408 (u. 1)

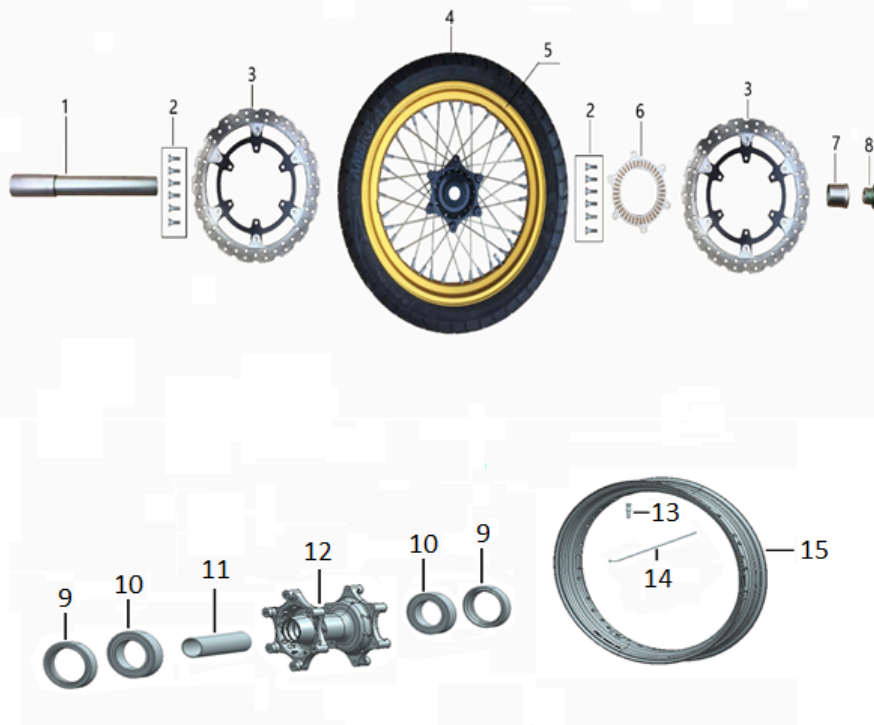
**SHOCK ABSORBER - SWING ARM**



1	fork axle f17*f275*1.5 0/000.190.4403 (u. 1)	
2	ARANDELA M16x1.5 0/000.440.4411 (u. 1)	Obsoleto
3	SWINGARM AXLE CAP 0/000.410.4405 (u. 2)	
4	rear swing arm 0/000.020.4401 (u. 1)	
5	GB/T5787hex head bolt M10*50 0/000.460.4438 (u. 2)	
6	GB97 f10 0/000.440.4412 (u. 1)	
7	GB6187 M10 0/000.340.4411 (u. 1)	
8	rear shock absorber 0/000.180.4402 (u. 1)	
9	cylindrical head inner hex M6 * 16 0/000.460.4439 (u. 4)	
10	disc brake oil pipe clip 0/000.680.4408 (u. 1)	
11	disc shaped long hole pad 0/000.440.4416 (u. 2)	
12	chain guard 0/000.360.4419 (u. 1)	
13	chain 0/001.050.4401 (u. 1)	
14	GB6177 M8 0/000.340.4412 (u. 2)	
15	rear wheel adjuster bolt M8*45 0/000.460.4440 (u. 2)	

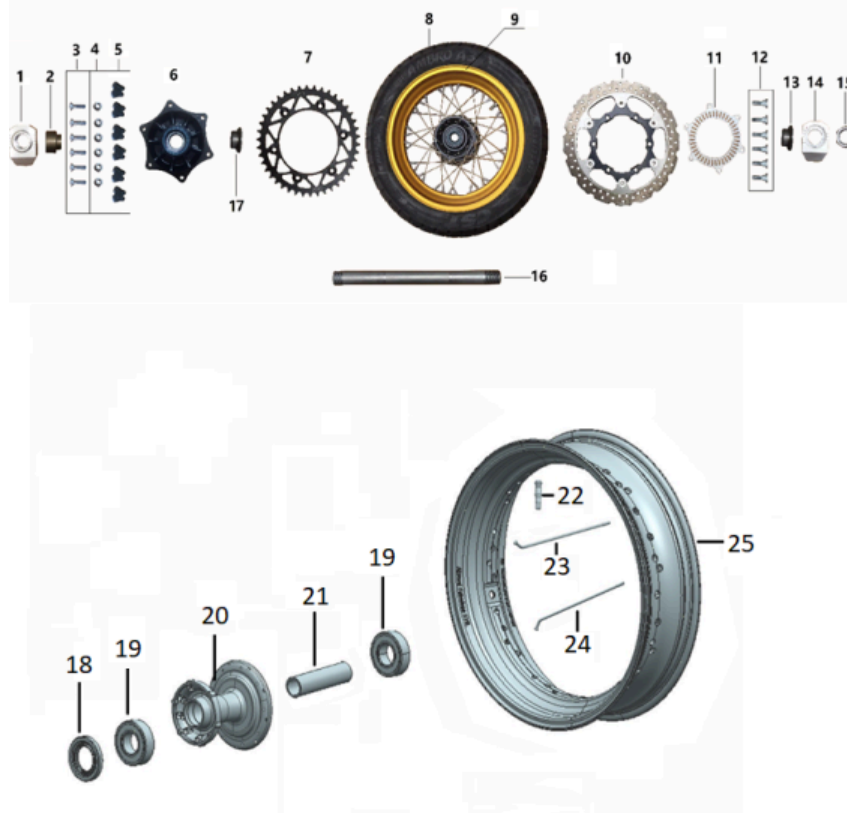
16	press nut M10 0/000.340.4413 (u. 1)
17	GB/T5787hex head bolt M10*115 0/000.460.4441 (u. 1)
18	COMPLETE LINKAGE AVENTURA 500CC +20MM MOTORCYCLE HEIGHT 0/000.770.4402 (u. 1) rocker arm(125mm) 0/000.770.4401 (u. 1)
19	liner tube:f10*f22*82.6 0/000.480.4408 (u. 1)
20	GB/T5787hex head bolt M10*105 0/000.460.4442 (u. 1)
21	bolt M15*90*1.5 0/000.460.4443 (u. 1)
22	dustproof cover f10*f24*7 0/000.200.4402 (u. 4)
23	dustproof cover f15*f25*7 0/000.200.4403 (u. 2)
24	linkage 0/000.980.4413 (u. 1)
25	GB6177 M14 0/000.340.4416 (u. 1)
26	liner tube:f15*f20*44 0/000.480.4405 (u. 1)
27	liner tube:f10*f18*26 0/000.480.4406 (u. 1)
28	liner tube:f10*f20*64 0/000.480.4407 (u. 1)
29	mushroom head inner hex bolt M6*16 0/000.460.4406 (u. 3)
30	chain box 0/000.200.4404 (u. 1)
31	rocker arm oil seal:22*30*7 0/000.890.4401 (u. 2)
32	rocker arm bearing:HK2216 0/000.960.4411 (u. 2)
33	linkage & shock oil seal:24*32*7 0/000.890.4402 (u. 2)
34	linkage & shock bearing:HN1816 0/000.960.4408 (u. 1)
35	rocker & linkage oil seal:25*32*7 0/000.890.4403 (u. 4)
36	rocker & linkage bearing:HK2016 0/000.960.4409 (u. 2)
37	linkage & fork bearing:HN2014 0/000.960.4410 (u. 2)

**FRONT WHEEL**



1	front wheel axle 0/000.190.4401 (u. 1)
2	step hex flange bolt M6*16 0/000.460.4451 (u. 12)
3	front disc brake 0/001.090.4401 (u. 2)
4	front outer tyre 0/000.510.4401 (u. 1)
5	front wheel hub assy 0/000.110.4401 (u. 1)
6	front sensing gear ring 0/001.090.4405 (u. 1)
7	front wheel bushing 0/000.480.4401 (u. 1)
8	front wheel nut 0/000.340.4408 (u. 1)
9	oil seal f47*f34*7 0/000.890.4404 (u. 2)
10	bearing JAPAN NSK 6906DU 0/000.960.4406 (u. 2)
11	front hub bushing 0/000.480.4409 (u. 1)
12	front hub 0/000.070.4401 (u. 1)
13	spoke nut 0/000.340.4417 (u. 36)
14	spoke 0/000.540.4401 (u. 36)
15	front wheel rim 0/000.230.4401 (u. 1)

**REAR WHEEL**



1	L chain adjuster 0/000.380.4401 (u. 1)	
2	L bushing rear wheel 0/000.480.4412 (u. 1)	
3	TORNILLO TORX AVELLANADO L M8x25 0/000.460.4444 (u. 6)	Obsolete
4	pressure nut M8 0/000.340.4415 (u. 6)	
5	rear sprocket cushioning rubber 0/000.360.4414 (u. 6)	
6	rear sprocket cushioning body 0/000.480.4414 (u. 1)	
7	rear sprocket 0/000.500.4401 (u. 1)	
8	rear outer tyre 0/000.510.4402 (u. 1)	
9	rear wheel hub assy 0/000.120.4401 (u. 1)	
10	rear disc brake 0/001.090.4403 (u. 1)	
11	rear sensing gear ring 0/001.090.4404 (u. 1)	
12	step hex flange bolt M6*16 0/000.460.4451 (u. 6)	
13	R bushing of rear wheel 0/000.480.4413 (u. 1)	
14	R chain adjuster 0/000.380.4402 (u. 1)	
15	rear wheel axle nut 0/000.340.4414 (u. 1)	

16	rear wheel axle 0/000.190.4404 (u. 1)
17	cushion body bushing f35*5+f30*12*f25 0/000.480.4415 (u. 1)
18	oil seal f52*f30*7 0/000.890.4405 (u. 1)
19	bearing JAPAN NSK 6205DU 0/000.960.4407 (u. 2)
20	rear hub 0/000.080.4401 (u. 1)
21	rear hub bushing 0/000.480.4410 (u. 1)
22	spoke nut 0/000.340.4417 (u. 36)
23	inner upper spoke 0/000.540.4402 (u. 18)
24	inner lower spoke 0/000.540.4403 (u. 18)
25	rear wheel rim 0/000.230.4402 (u. 1)

**HEADLIGHT AND FRONT FENDER**



1	headlight bracket 0/000.980.4403 (u. 1)
2	GB/T 6187 M8 0/000.340.4402 (u. 2)
3	GB/T5787 hex flange bolt with disc M8*35 0/000.460.4407 (u. 2)
4	rubber seal f18*f9*9 0/000.360.4402 (u. 12)
5	GB/T 96 f6 0/000.440.4402 (u. 7)
6	GB6187 pressure locking bolt M6 0/000.340.4403 (u. 4)
7	meter shell 0/000.570.4401 (u. 1)
8	nut clip M6 0/000.340.4404 (u. 12)
9	GB/T845 M4.8*13 0/000.460.4408 (u. 6)
10	mushroom head inner hex bolt M6*16 0/000.460.4406 (u. 9)
11	side cover rubber 0/000.360.4406 (u. 1)
12	USB joint 0/000.720.4403 (u. 1)
13	photoelectric effect switch 0/001.010.4401 (u. 1)
14	meter trim bracket 0/001.000.4402 (u. 1)
15	meter assy 0/001.000.4401 (u. 1) - UNTIL VIN VTPAVU50100P00286 meter assy 0/001.000.4403 (u. 1) - FROM VIN VTPAVU50100P00286
16	installation shell for fuel tank switch 0/000.350.4403 (u. 1)
17	fuel tank switch 0/000.720.4404 (u. 1)

18	front fender 0/000.050.4401 (u. 1)
19	rubber seal f6 0/000.360.4403 (u. 4)
20	headlight cover 0/000.570.4402 (u. 1)
21	front L turn signal light 0/000.150.4401 (u. 1)
22	installation press block of turn signal light 0/000.980.4404 (u. 2)
23	GB5783M6*16 0/000.460.4409 (u. 2)
24	R turn signal light 0/000.150.4404 (u. 1)
25	cross padded inner hex M6*12 0/000.460.4431 (u. 8)
27	meter cover 0/000.220.4404 (u. 1)
28	windshield 0/000.780.4401 (u. 1)
29	mushroom head inner hex bolt M6*25 0/000.460.4410 (u. 1)
30	mushroom head inner hex M6*20 0/000.460.4466 (u. 2)
31	upper flang bushing of wind screenf6*12 0/000.440.4403 (u. 2)
32	LOWER FLANG BUSHING OF WINDSHIELD f6*10 0/000.440.4404 (u. 2)
33	nylon pad GB97Ø6 0/000.440.4405 (u. 12)
34	headlight V2 0/000.600.4402 (u. 1) - Desde VIN VTPAVU50*****0285
	headlight 0/000.600.4401 (u. 1) - Hasta VIN VTPAVU50*****0285
35	FRONT TIRE VALVE CAP 0/000.410.4408 (u. 1)

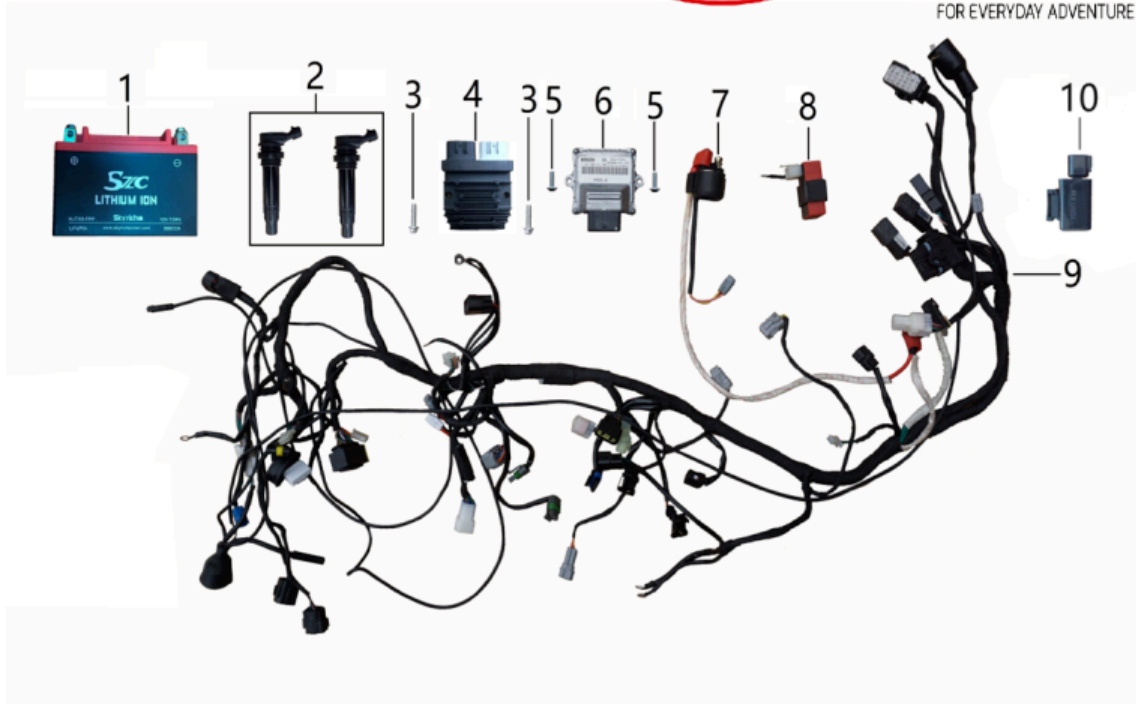
**REAR FENDER AND TAILLIGHT**



1	rear fender inner bushing 0/000.060.4404 (u. 1)	
2	TORNILLO M8x16 0/000.460.4458 (u. 4)	Obsolete
3	GB845M4.8*13 0/000.460.4459 (u. 4)	
3	GB845M4.8*13 0/000.460.4459 (u. 2)	
4	mushroom head inner hex bolt M6*16 0/000.460.4406 (u. 3)	
5	GB/97f6 0/000.440.4415 (u. 1)	
6	rear fender bracket 0/000.980.4416 (u. 1)	
7	GB6177 M6 0/000.340.4405 (u. 2)	
8	GB/T 96 f6 0/000.440.4402 (u. 2)	
9	rubber seal Ø10*Ø20*13 0/000.360.4417 (u. 2)	
10	rear tail light 0/000.150.4406 (u. 1)	
11	nut clip M6 0/000.340.4404 (u. 4)	
12	rubber seal Ø20*Ø35*12 0/000.360.4418 (u. 2)	
13	rear fender GREY 0/000.060.4402 (u. 1)	
14	GB6177 M6 0/000.340.4405 (u. 3)	
15	rear reflector 0/000.630.4402 (u. 1)	

16	R turn signal light 0/000.150.4404 (u. 1)
17	front L turn signal light 0/000.150.4401 (u. 1)
18	GB5783M6*16 0/000.460.4409 (u. 2)
19	rear licence bracket 0/000.980.4417 (u. 1)
20	mushroom head inner hex bolt M6*16 0/000.460.4406 (u. 2)
21	rear license light 0/000.150.4403 (u. 1)
22	REAR CAMERA CAP 0/000.410.4409 (u. 1)

**ELECTRICAL**



1	battery 0/000.900.4401 (u. 1)
2	ignition coil 0/005.070.4401 (u. 2)
3	GB/T5787 hex head bolt with disc M6*16 0/000.460.4417 (u. 2)
4	variable voltage rectifier 0/005.700.4402 (u. 1)
5	mushroom head inner hex bolt M6*16 0/000.460.4406 (u. 2)
6	electric control unit 0/005.705.4402 (u. 1)
7	start relay 0/001.200.4401 (u. 1)
8	flasher 0/001.200.4402 (u. 1)
9	wire harness 0/000.160.4403 (u. 1) - FROM VIN VTPAVU50100P00286
	wire harness 0/000.160.4401 (u. 1) - UNTIL VIN VTPAVU50100P00285
10	relay of headlight 0/001.200.4403 (u. 1)

**FUEL TANKS**



1	step rubber seal f28*f20*f9*12 0/000.360.4413 (u. 3)
2	flang bushing Ø6*12 0/000.480.4411 (u. 2)
3	GB/T5787hex head bolt with disc M6*25 0/000.460.4450 (u. 2)
4	front fuel tank GREY 0/000.030.4401 (u. 1)
5	front section of rear fender 0/000.060.4401 (u. 1)
6	ALLEN SCREW DIN 912 M5x16 GRADE 8.8 Z/WHITE 0/000.460.0285 (u. 21)
7	inner hex bolt M6x12 0/000.460.4446 (u. 2)
8	oil pump assy 0/000.860.4401 (u. 2)
9	oil pump cover 0/000.350.4406 (u. 2)
10	ALLEN SCREW DIN 912 M5x20 GRADE 8.8 ZINC/WHITE 0/000.460.0290 (u. 1) cylindrical head inner hex bolt M5 * 20 0/000.460.4447 (u. 1)
11	GB9715 0/000.440.4413 (u. 3)
12	rear oil pump outer cover 0/000.350.4405 (u. 1)
13	mushroom head inner hex bolt M5*12 0/000.460.4448 (u. 2)
14	fuel tank cover assy seat 0/000.350.4407 (u. 1)
15	rear fuel tank assy 0/000.030.4403 (u. 1)

16	T rubber f12*f20*20 0/000.360.4412 (u. 4)
17	flang bushing f8*40 0/000.480.4404 (u. 2)
18	GB/T5787 hex head bolt with disc M8*55 0/000.460.4449 (u. 2)
19	carbon canister assy 0/000.640.4401 (u. 1)
20	GB/T5787 hex head bolt with disc M6*16 0/000.460.4417 (u. 2)
21	GB6177 M6 0/000.340.4405 (u. 2)
22	carbon canister bracket 0/000.980.4414 (u. 1)
23	side cover rubber 0/000.360.4409 (u. 1)
24	oil switch assy 0/000.370.4401 (u. 1)
25	oil switch bracket 0/000.980.4409 (u. 1)
26	mushroom head bolt M6*20 0/000.460.4411 (u. 1)
27	GB6177 M6 0/000.340.4405 (u. 1)
28	Oil Switch Combination 0/000.370.4402 (u. 1)
29	Ring Hoop 0/000.680.4417 (u. 6)
30	CONECTOR GASOLINA 0/000.630.4403 (u. 1)
31	Quick coupling (bend) 0/000.630.4404 (u. 2)
32	TUBO GRIFO GASOLINA A DEPOSITO DELANTERO 0/000.290.4421 (u. 1)
33	TUBO GRIFO GASOLINA A INYECTOR 0/000.290.4422 (u. 1)
34	TUBO GRIFO GASOLINA A DEPOSITRO TRASERO 0/000.290.4423 (u. 1)
35	FUNDA TUBO GASOLINA 0/000.290.4424 (u. 1)
36	CALCA GRIFO GASOLINA AVENTURA 500i 0/000.390.4305 (u. 1)

**GREEN LEGEND COVERS AND SEAT**



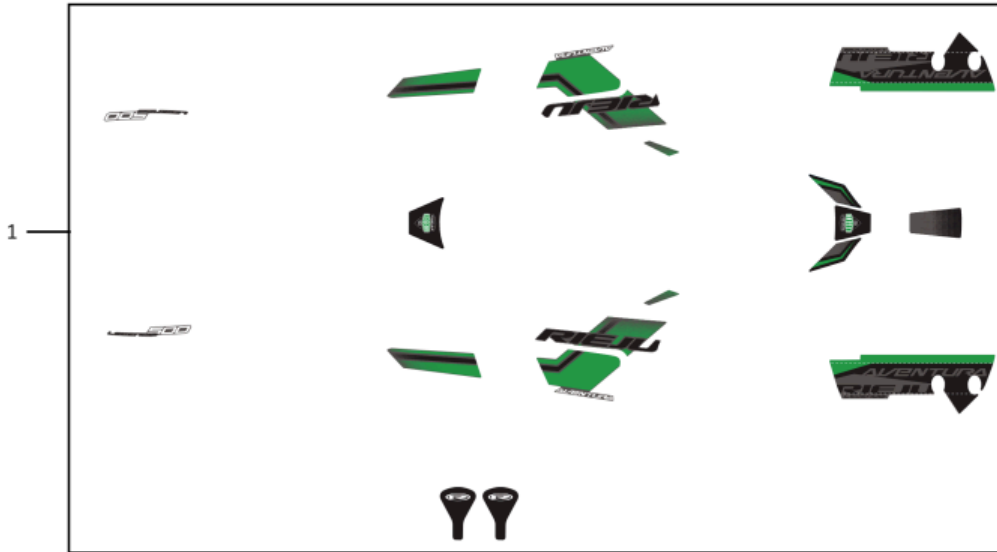
1	L guard of headcover GREY 0/000.570.4421 (u. 1) - <i>W/O STICKER</i>
2	L fuel tank guard inner bushing 0/000.570.4403 (u. 1) - <i>W/O STICKER</i>
3	L fuel tank guard GREY 0/000.570.4404 (u. 1) - <i>W/O STICKER</i>
4	nut clip M6 0/000.340.4404 (u. 12)
5	right guard of head cover GREY 0/000.570.4406 (u. 1) - <i>W/O STICKER</i>
6	nylon pad Ø6 0/000.440.4414 (u. 8)
7	inner hex bolt with disc M8*35 0/000.460.4454 (u. 8)
8	GB845M4.8*13 0/000.460.4455 (u. 10)
9	R fuel tank protector GREY 0/000.570.4408 (u. 1) - <i>W/O STICKER</i>
10	inner bushing of R fuel tank protector 0/000.570.4410 (u. 1) - <i>W/O STICKER</i>
11	mushroom head inner hex bolt M6*16 0/000.460.4406 (u. 10)
12	mushroom head inner hex bolt M6*12 0/000.460.4456 (u. 6)
13	suspension rubber 0/000.360.4415 (u. 2)
14	rubber seal 0/000.360.4416 (u. 4)
15	R fuel tank trim strip GREY 0/000.570.4411 (u. 1) - <i>W/O STICKER</i>
16	R side cover 0/000.570.4413 (u. 1) - <i>W/O STICKER</i>
17	R body GREY 0/000.570.4414 (u. 1) - <i>W/O STICKER</i>

18	main seat cushion 0/000.040.4402 (u. 1)
19	passenger seat cushion 0/000.040.4401 (u. 1)
20	GB/T5787 hex head bolt with disc M8*25 0/000.460.4419 (u. 2)
21	L body GREY 0/000.570.4416 (u. 1) - <i>W/O STICKER</i>
22	L side cover 0/000.570.4418 (u. 1) - <i>W/O STICKER</i>
23	L fuel tank trim strip GREY 0/000.570.4419 (u. 1) - <i>W/O STICKER</i>
24	inner bushing of L fuel tank protector GREY 0/000.570.4423 (u. 1) - <i>W/O STICKER</i>
25	L fuel tank protector GREY 0/000.570.4424 (u. 1) - <i>W/O STICKER</i>
26	KIT DECALS AVENTURA 500cc LEGEND 2023 0/000.390.4303 (u. 1)

JUEGO DE CALCAS LEGEND

0/000.390.4303

JUEGO CALCAS AVENTURA 500cc LEGEND



1

KIT DECALS AVENTURA 500cc LEGEND 2023  
0/000.390.4303 (u. 1)

**RED COVERS**

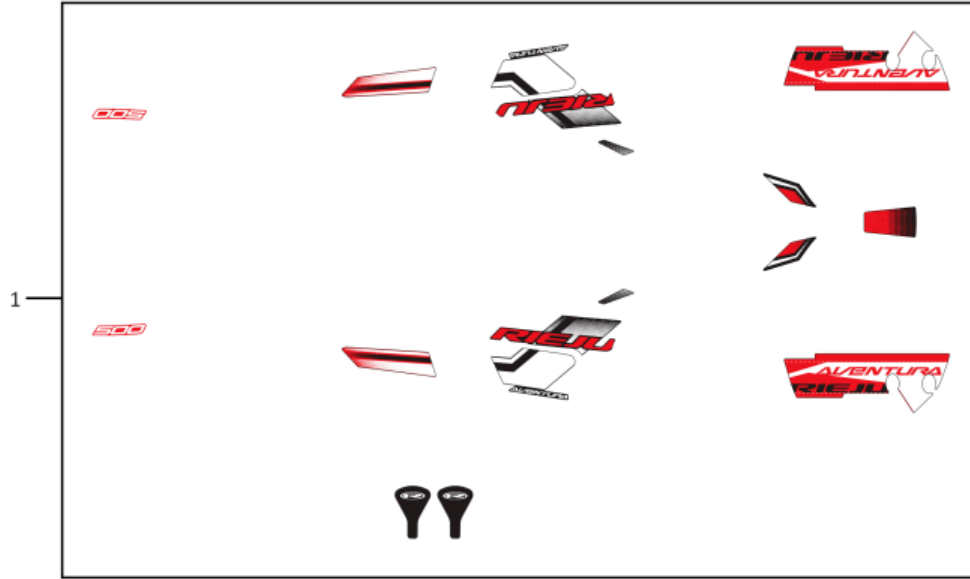


<b>1</b>	R shock guard BLACK 0/000.220.4407 (u. 1) - <i>W/O STICKER</i>	
	PROTECTOR HORQUILLA RH ROJO 0/000.220.4408 (u. 1)	Obsolete
<b>2</b>	PROTECTOR HORQUILLA LH ROJO 0/000.220.4410 (u. 1)	Obsolete
	L shock guard BLACK 0/000.220.4409 (u. 1) - <i>W/O STICKER</i>	
<b>3</b>	right guard of head cover RED 0/000.570.4407 (u. 1) - <i>W/O STICKER</i>	
<b>4</b>	L guard of headcover RED 0/000.570.4422 (u. 1) - <i>W/O STICKER</i>	
<b>5</b>	inner bushing of L fuel tank protector RED 0/000.570.4425 (u. 1) - <i>W/O STICKER</i>	
<b>6</b>	L fuel tank protector RED 0/000.570.4426 (u. 1) - <i>W/O STICKER</i>	
<b>7</b>	R fuel tank protector RED 0/000.570.4409 (u. 1) - <i>W/O STICKER</i>	
<b>8</b>	L fuel tank guard RED 0/000.570.4405 (u. 1) - <i>W/O STICKER</i>	
<b>9</b>	R fuel tank trim strip RED 0/000.570.4412 (u. 1) - <i>W/O STICKER</i>	
<b>10</b>	L fuel tank trim strip RED 0/000.570.4420 (u. 1) - <i>W/O STICKER</i>	
<b>11</b>	front fuel tank RED 0/000.030.4402 (u. 1) - <i>W/O STICKER</i>	
<b>12</b>	R body RED 0/000.570.4415 (u. 1) - <i>W/O STICKER</i>	
<b>13</b>	L body RED 0/000.570.4417 (u. 1) - <i>W/O STICKER</i>	
<b>14</b>	rear fender RED 0/000.060.4403 (u. 1)	

JUEGO DE CALCAS ROJA

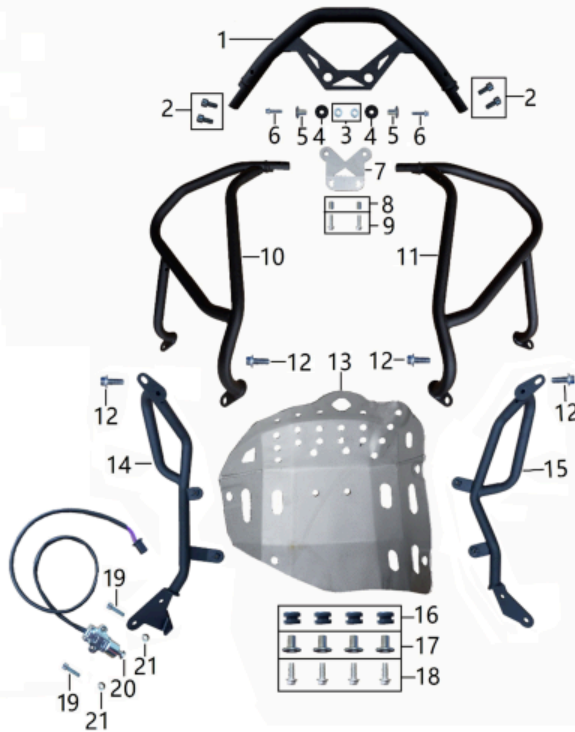
0/000.390.4302

JUEGO CALCAS AVENTURA 500cc ROJA



1 KIT STICKERS AVENTURA 500cc RED 2023  
0/000.390.4302 (u. 1)

**BUMPERS AND SKID PLATE**

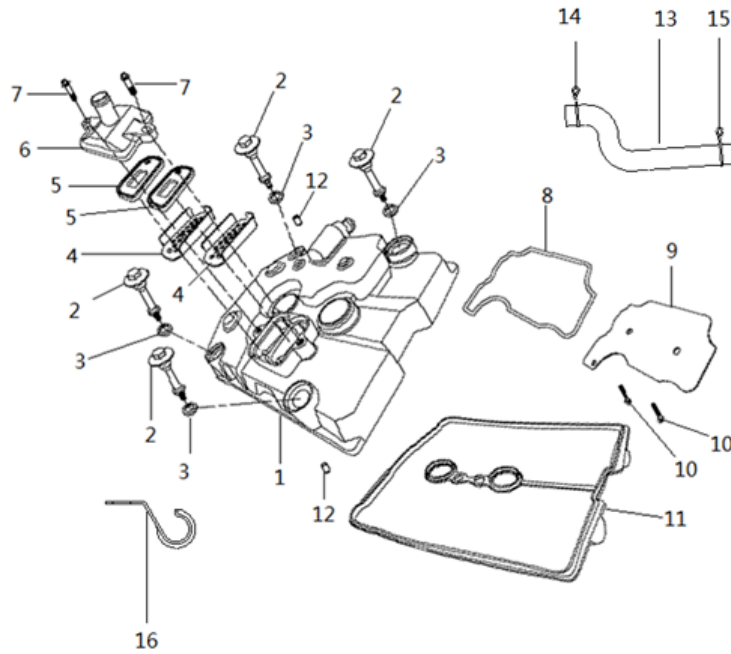


1	bumper front section 0/000.220.4415 (u. 1)
2	cylindrical inner hex flange bolt M8*12 0/000.460.4461 (u. 4)
3	GB6177 M6 0/000.340.4405 (u. 2)
4	petal rubberf9*f22*11 0/000.360.4421 (u. 2)
5	flang bushingf6*12 0/000.480.4416 (u. 2)
6	GB/T5787 inner hex flange bolt M6*30 0/000.460.4462 (u. 2)
7	bumper front section connecting block 0/000.980.4418 (u. 1)
8	lining pipef14*f8*12 0/000.480.4417 (u. 2)
9	GB/T5787 inner hex flange bolt M8*30 0/000.460.4463 (u. 2)
10	middle section of bumper-L 0/000.220.4416 (u. 1)
11	middle section of bumper -R 0/000.220.4417 (u. 1)
12	GB/T5787 hex head bolt with disc M8*25 0/000.460.4419 (u. 6)
13	engine protection plate 0/000.220.4418 (u. 1)
14	rear section of bumper-L 0/000.220.4419 (u. 1)
15	rear section of bumper-R 0/000.220.4420 (u. 1)

<b>16</b>	I-beam rubberf8*f22*11 0/000.360.4422 (u. 4)
<b>17</b>	flang bushingf8*12 0/000.480.4418 (u. 4)
<b>18</b>	GB/T5787 inner flange bolt M8*25 0/000.460.4465 (u. 4)
<b>19</b>	ALLEN SCREW DIN 912 M5x16 GRADE 8.8 Z/WHITE 0/000.460.0285 (u. 1)
<b>20</b>	SIDE STAND SWITCH 0/000.720.4409 (u. 1)
<b>21</b>	GB6177 M5 0/000.340.4423 (u. 1)

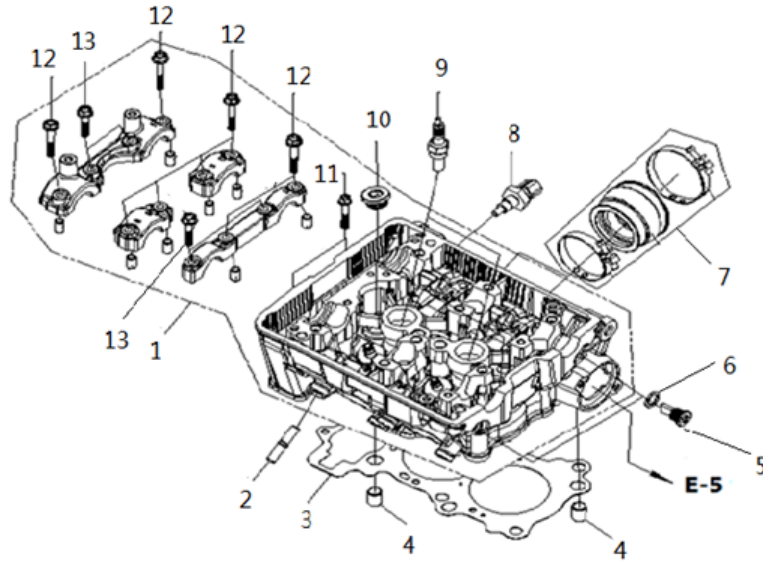
# MOTOR AVENTURA 500

**CYLINDER HEAD COVER**



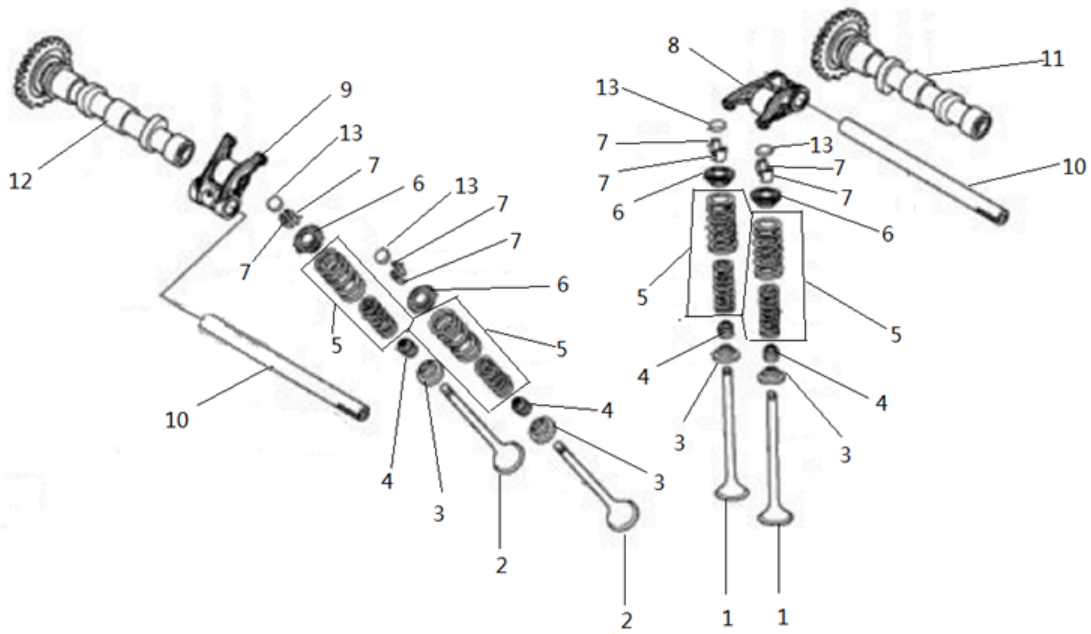
1	Cylinder Head Cover 0/000.350.4409 (u. 1)	
2	Hexagon bolt with flange 0/000.460.4469 (u. 4)	
3	Seal ring 0/000.360.4424 (u. 4)	
4	SCREEN,FLAME 0/001.070.4403 (u. 2)	
5	VALVE,REED 0/005.600.4401 (u. 2)	
6	JOINT,CONNECTING 0/000.350.4410 (u. 1)	
7	TORNILLO HEXAGONAL CON ARANDELA M6x20 0/000.460.4470 (u. 2)	Obsolete
8	Oil and gas separation plate gasket 0/000.490.4406 (u. 1)	
9	Oil and gas separator 0/000.480.4425 (u. 1)	
10	Hexagon bolt with flange 0/000.460.4471 (u. 2)	
11	Seal ring 0/000.490.4402 (u. 1)	
12	Location pin 0/000.840.4401 (u. 2)	
13	Air pipe 0/000.290.4412 (u. 1)	
14	Clamp 0/000.680.4410 (u. 1)	
15	Clamp 0/000.680.4411 (u. 1)	
16	Clip 0/000.300.4401 (u. 2)	

**CYLINDER HEAD**



1	Cylinder head part kit 0/005.770.4401 (u. 1)
2	Stud 0/000.280.4401 (u. 4)
3	Cylinder head sealing gasket 0/000.490.4405 (u. 1)
4	Locatin pin 0/000.840.4402 (u. 2)
5	Inner hexagon screw 0/000.460.4472 (u. 2)
6	Plain gasket 0/000.440.4417 (u. 2)
7	intake pipe 0/000.360.4404 (u. 2)
8	Engine sensors 0/001.010.4405 (u. 1)
9	spark plug 0/005.110.4401 (u. 2)
10	Inner hexagon screw 0/000.460.4473 (u. 2)
11	Hexagon bolt with flange 0/000.460.4474 (u. 2)
12	Hexagon bolt with flange 0/000.460.4475 (u. 8)
13	Hexagon bolt with flange 0/000.460.4476 (u. 4)

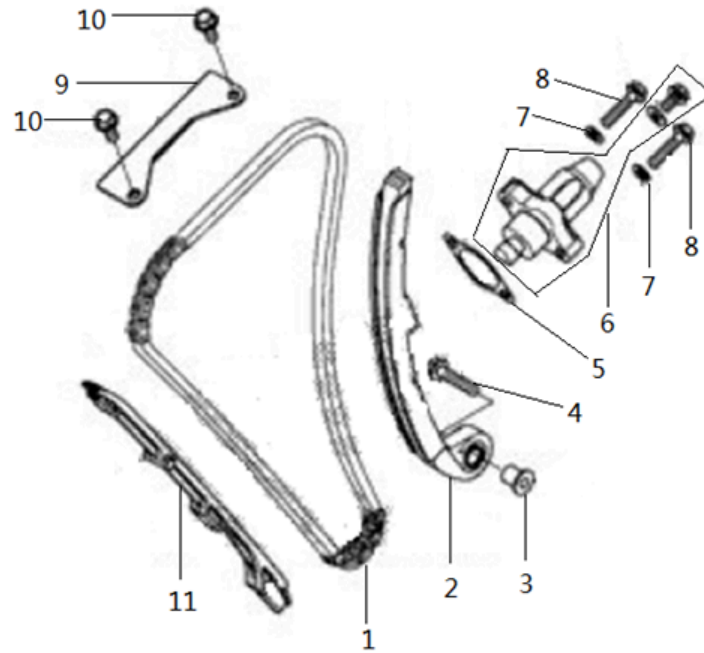
**VALVES**



1	Valve inlet 0/000.640.4405 (u. 4)
2	Valve exaust 0/000.640.4406 (u. 4)
3	Valve spring retainer 0/000.890.4406 (u. 8)
4	Oil drip pan 0/000.890.4408 (u. 8)
5	SPRING SET, VALVE 0/000.470.4404 (u. 8)
6	Valve spring retainer 0/000.890.4407 (u. 8)
7	Valve key 0/000.300.4403 (u. 16)
8	Valve lever 0/005.159.4401 (u. 2)
9	Valve lever 0/005.159.4402 (u. 2)
10	Valve lever shaft 0/000.190.4405 (u. 2)
11	CAMSHAFT ASSY. 0/005.010.4401 (u. 1)
12	CAMSHAFT ASSY. 0/005.010.4402 (u. 1)

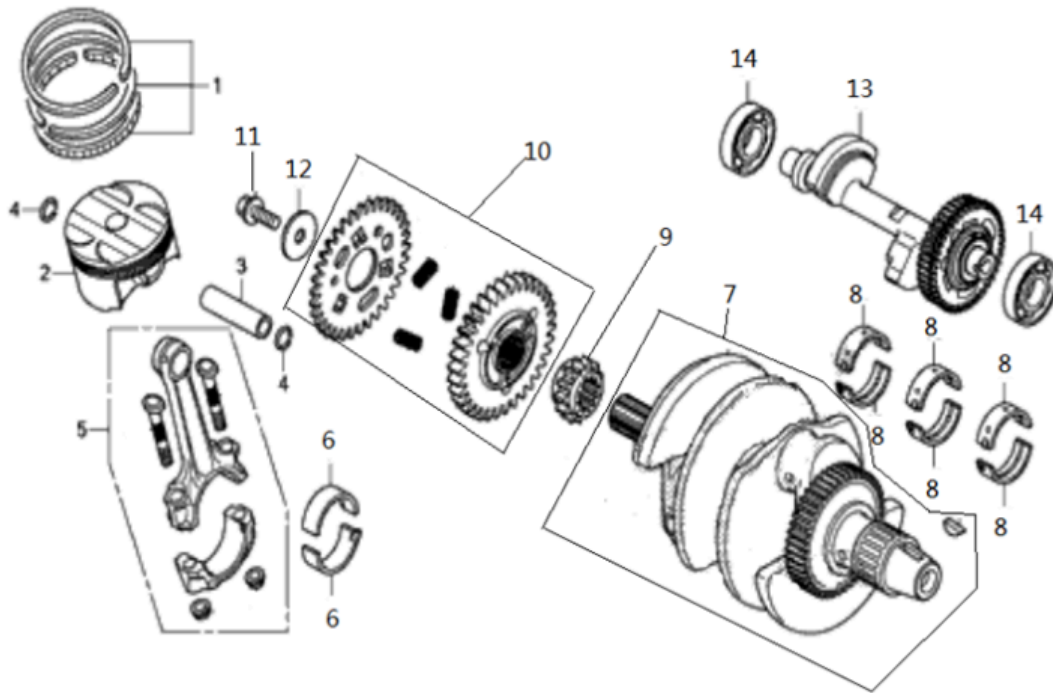
	VALVE ADJUSTMENT SHIM 2.450 0/005.490.4419 (u. 4)
	VALVE ADJUSTMENT SHIM 2.600 0/005.490.4425 (u. 4)
	VALVE ADJUSTMENT SHIM 2.250 0/005.490.4412 (u. 4)
	VALVE ADJUSTMENT SHIM 2.150 0/005.490.4408 (u. 4)
	VALVE ADJUSTMENT SHIM 2.400 0/005.490.4418 (u. 4)
	VALVE ADJUSTMENT SHIM 2.325 0/005.490.4415 (u. 4)
	VALVE ADJUSTMENT SHIM 2.000 0/005.490.4402 (u. 4)
	VALVE ADJUSTMENT SHIM 2.525 0/005.490.4422 (u. 4)
	VALVE ADJUSTMENT SHIM 2.200 0/005.490.4410 (u. 4)
	VALVE ADJUSTMENT SHIM 2.375 0/005.490.4417 (u. 4)
	VALVE ADJUSTMENT SHIM 2.050 0/005.490.4404 (u. 4)
	VALVE ADJUSTMENT SHIM 2.125 0/005.490.4407 (u. 4)
13	VALVE ADJUSTMENT SHIM 2.575 0/005.490.4424 (u. 4)
	VALVE ADJUSTMENT SHIM 2.350 0/005.490.4416 (u. 4)
	VALVE ADJUSTMENT SHIM 2.175 0/005.490.4409 (u. 4)
	VALVE ADJUSTMENT SHIM 2.475 0/005.490.4420 (u. 4)
	VALVE ADJUSTMENT SHIM 2.425 0/005.490.4426 (u. 4)
	VALVE ADJUSTMENT SHIM 2.300 0/005.490.4414 (u. 4)
	VALVE ADJUSTMENT SHIM 2.275 0/005.490.4413 (u. 4)
	VALVE ADJUSTMENT SHIM 2.025 0/005.490.4403 (u. 4)
	VALVE ADJUSTMENT SHIM 2.100 0/005.490.4406 (u. 4)
	VALVE ADJUSTMENT SHIM 2.225 0/005.490.4411 (u. 4)
	VALVE ADJUSTMENT SHIM 2.500 0/005.490.4421 (u. 4)
	VALVE ADJUSTMENT SHIM 2.075 0/005.490.4405 (u. 4)
	VALVE ADJUSTMENT SHIM 2.550 0/005.490.4423 (u. 4)

**TENSIONER CAM CHAIN**



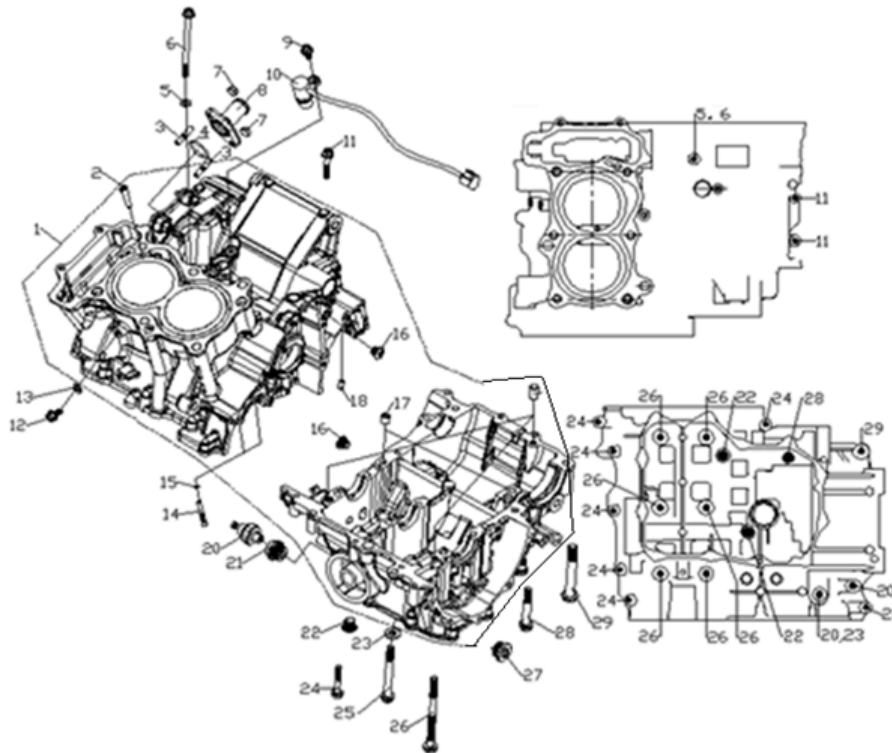
1	Timing chain 0/001.050.4402 (u. 1)
2	Chain tension plate 0/000.710.4402 (u. 1)
3	Bush 0/000.480.4420 (u. 1)
4	Hexagon bolt with flange 0/000.460.4477 (u. 1)
5	Tensioner sealing gasket 0/000.490.4403 (u. 1)
6	Tensioner combination 0/000.380.4403 (u. 1)
7	Plain gasket 0/000.440.4418 (u. 2)
8	Hexagon bolt with flange 0/000.460.4478 (u. 2)
9	Timing chain limit board 0/000.980.4420 (u. 1)
10	Hexagon bolt with flange 0/000.460.4479 (u. 2)
11	The chain guide plate 0/000.710.4401 (u. 1)

**CRANKSHAFT AND PISTON**



1	Piston ring combination 0/005.714.4401 (u. 2)
2	Piston ring combination 0/005.711.4401 (u. 2)
3	Piston pin 0/000.480.4421 (u. 2)
4	Steel cable baffle ring 0/000.300.4402 (u. 4)
5	Connecting rod combination 0/005.380.4401 (u. 2)
6	ROD PAD Ø36x17 0/000.960.4419 (u. 4)
7	The crankshaft parts 0/005.380.4402 (u. 1)
8	CONNECTING ROD PAD Ø3415 0/000.960.4420 (u. 6)
9	Timing driving gear 0/005.400.4410 (u. 1)
10	DRIVING GEAR ASSY.,PRIMARY 0/005.400.4409 (u. 1)
11	Hexagon bolt with flange 0/000.460.4491 (u. 1)
12	Plain gasket 0/000.440.4421 (u. 1)
13	Trunnion shaft 0/000.190.4411 (u. 1)
14	Bearing 0/000.960.4412 (u. 2)

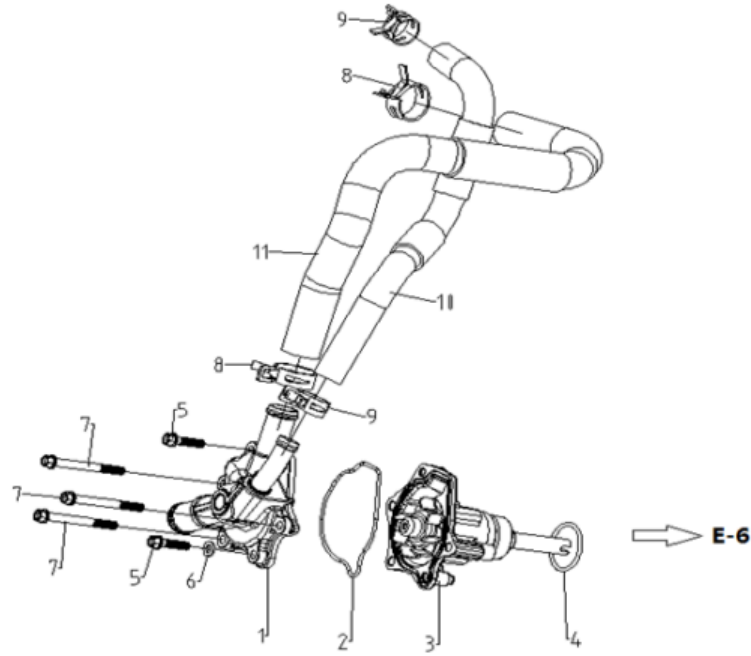
**CRANCKCASE**



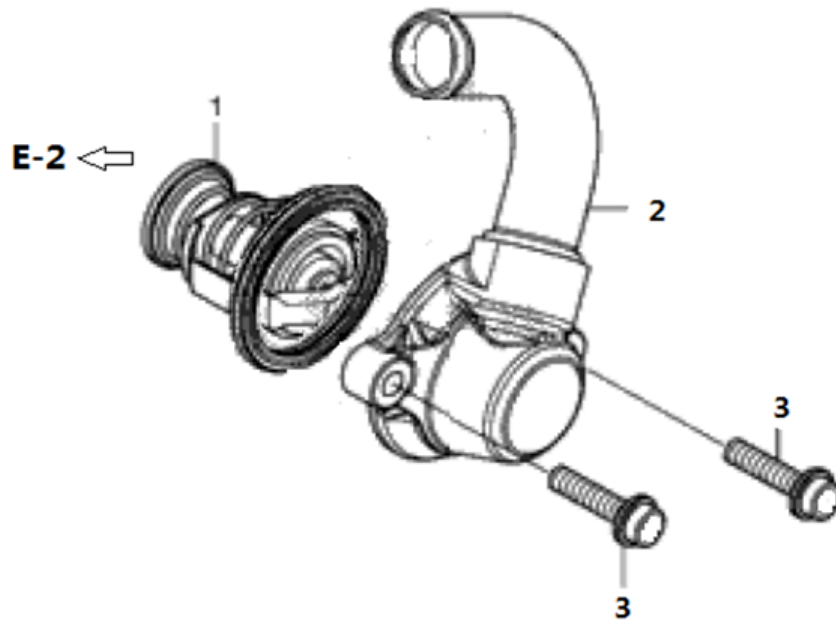
1	CRANKCASE KIT 0/005.380.4403 (u. 1)	
2	Water rubber rod 0/000.360.4429 (u. 1)	
3	Stud 0/000.280.4402 (u. 2)	
4	Seal ring 0/000.360.4425 (u. 1)	
5	Plain gasket 0/000.440.4419 (u. 1)	
6	Hexagon bolt with flange 0/000.460.4481 (u. 1)	
7	Hexagon nut with flange 0/000.340.4420 (u. 2)	
8	TUBO UNION 0/000.290.4418 (u. 1)	Obsolete
9	Hexagon bolt with flange 0/000.460.4471 (u. 1)	
10	Velocity transducer 0/001.010.4408 (u. 1)	
11	Hexagon bolt with flange 0/000.460.4482 (u. 2)	
12	Hexagon bolt with flange 0/000.460.4479 (u. 1)	
13	Plain gasket 0/000.440.4418 (u. 1)	
14	Choke plug 0/000.480.4423 (u. 2)	
15	Seal ring 0/000.360.4426 (u. 2)	
16	Inner hexagon screw 0/000.460.4483 (u. 2)	

17	Choke plug 0/000.480.4424 (u. 2)
18	Pin shaft 0/000.190.4408 (u. 1)
20	Engine sensors 0/001.010.4406 (u. 1)
21	Hexagon bolt with flange 0/000.460.4484 (u. 1)
22	Inner hexagon screw 0/000.460.4485 (u. 2)
23	Plain gasket 0/000.440.4420 (u. 1)
24	Hexagon bolt with flange 0/000.460.4486 (u. 7)
25	Hexagon bolt with flange 0/000.460.4487 (u. 2)
26	Hexagon bolt with flange 0/000.460.4488 (u. 6)
27	Inner hexagon screw 0/000.460.4473 (u. 1)
28	Hexagon bolt with flange 0/000.460.4489 (u. 1)
29	Hexagon bolt with flange 0/000.460.4490 (u. 1)

**COOLANT PUMP**

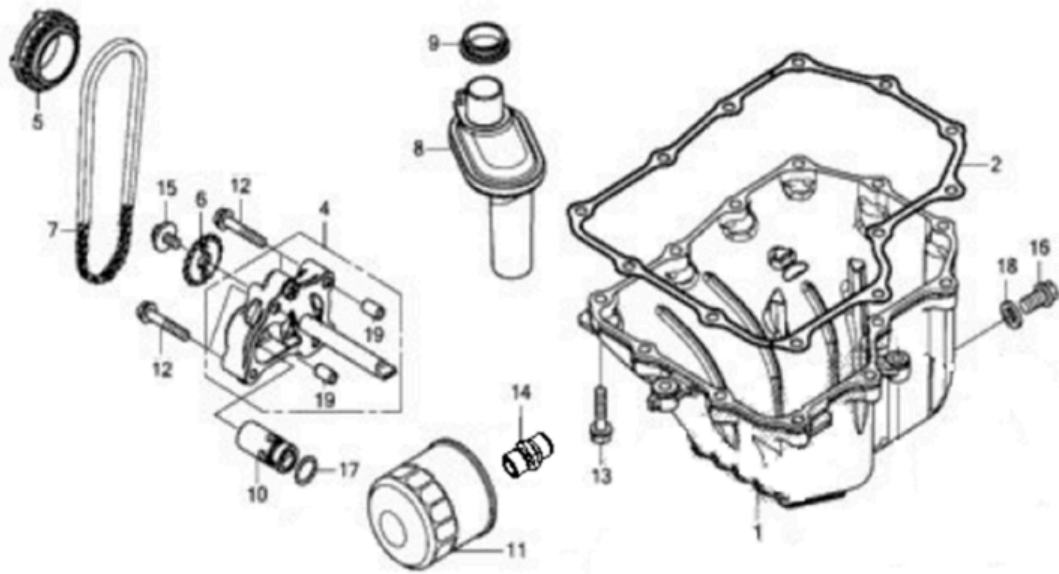


1	<p>Cooling pump cover 0/000.350.4414 (u. 1)</p>
2	<p>Seal ring 0/000.490.4410 (u. 1)</p>
3	<p>Cooling pump unit 0/000.860.4406 (u. 1)</p>
4	<p>Seal ring 0/000.360.4431 (u. 1)</p>
5	<p>Hexagon bolt with flange 0/000.460.4504 (u. 2)</p>
6	<p>Plain gasket 0/000.440.4418 (u. 1)</p>
7	<p>Hexagon bolt with flange 0/000.460.4506 (u. 3)</p>
8	<p>Pipe clamp 0/000.680.4412 (u. 2)</p>
9	<p>Pipe clamp 0/000.680.4413 (u. 2)</p>
10	<p>Water pipe 0/000.290.4415 (u. 1)</p>
11	<p>Water pipe 0/000.290.4416 (u. 1)</p>

**THERMOSTAT**

- |   |   |
|---|---|
| 1 | Thermostat valve<br>0/001.010.4407 (u. 1)         |
| 2 | Cooling pipe contact<br>0/000.290.4414 (u. 1)     |
| 3 | Hexagon bolt with flange<br>0/000.460.4480 (u. 2) |

**LUBRICATION SYSTEM**



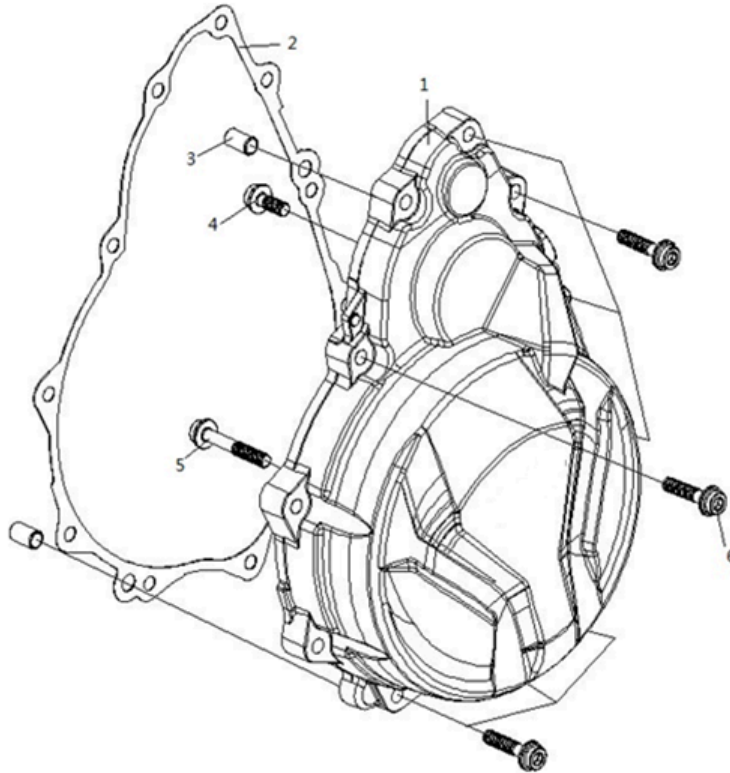
1	Oil pan 0/000.350.4413 (u. 1)
2	Oil pan gasket 0/000.490.4409 (u. 1)
4	Oil pump assembly 0/000.860.4405 (u. 1)
5	Oil pump driving gear 0/005.400.4407 (u. 1)
6	Oil pump driven gear 0/005.400.4408 (u. 1)
7	Chain 0/001.050.4403 (u. 1)
8	Oil pickup pipe combination 0/000.290.4419 (u. 1)
9	Seal ring 0/000.360.4433 (u. 1)
10	Oil control valve part 0/000.640.4407 (u. 1)
11	oil filter cartridge 0/001.070.4402 (u. 1)
12	Hexagon bolt with flange 0/000.460.4482 (u. 4)
13	Hexagon bolt with flange 0/000.460.4507 (u. 12)
14	Tube union 0/000.290.4417 (u. 1)
15	Bolt and plain combination 0/000.460.4494 (u. 1)
16	Sealing bolt 0/000.460.4508 (u. 1)
17	Seal ring 0/000.360.4432 (u. 1)
18	OIL DRAIN SCREW WASHER 0/000.440.4713 (u. 1)
	Plain gasket 0/000.440.4428 (u. 1)

Obsolete

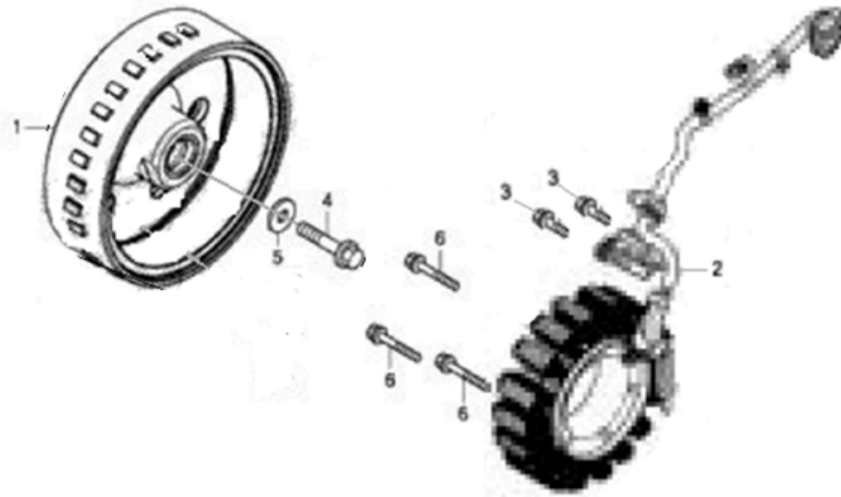
19

Locatin pin  
0/000.840.4403 (u. 2)

**GENERATOR COVER**



1	Left front cover 0/000.350.4412 (u. 1)
2	Left front cover gaske 0/000.490.4408 (u. 1)
3	Locatin pin 0/000.840.4403 (u. 2)
4	Hexagon bolt with flange 0/000.460.4499 (u. 2)
5	Hexagon bolt with flange 0/000.460.4501 (u. 4)
6	Hexagon bolt with flange 0/000.460.4498 (u. 11)

**GENERATOR**


**1** Magneto rotor combination of ontology  
0/005.820.4402 (u. 1)

**2** Magneto spindle components  
0/005.820.4401 (u. 1)

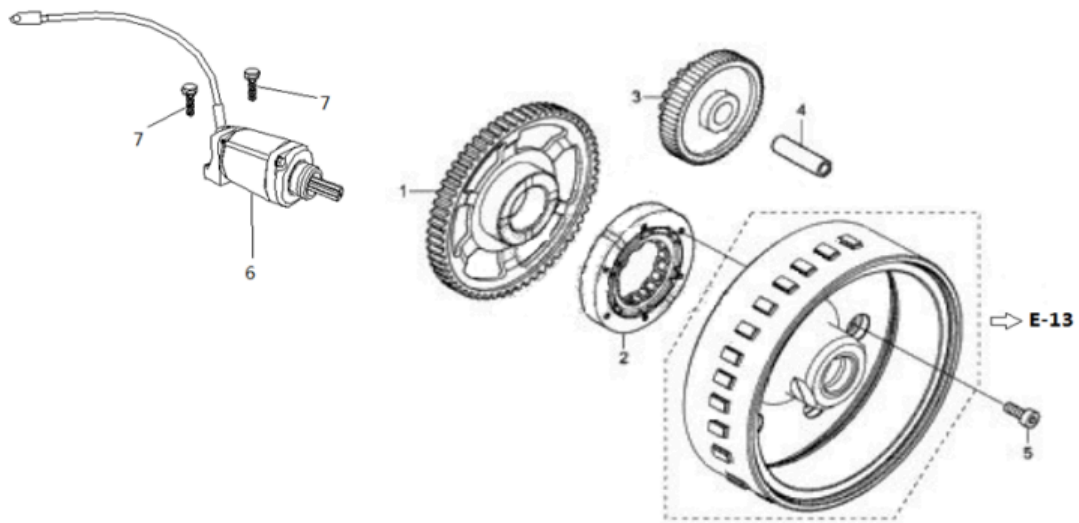
**3** Hexagon bolt with flange  
0/000.460.4499 (u. 2)

**4** Hexagon bolt with flange  
0/000.460.4500 (u. 1)

**5** Plain gasket  
0/000.440.4427 (u. 1)

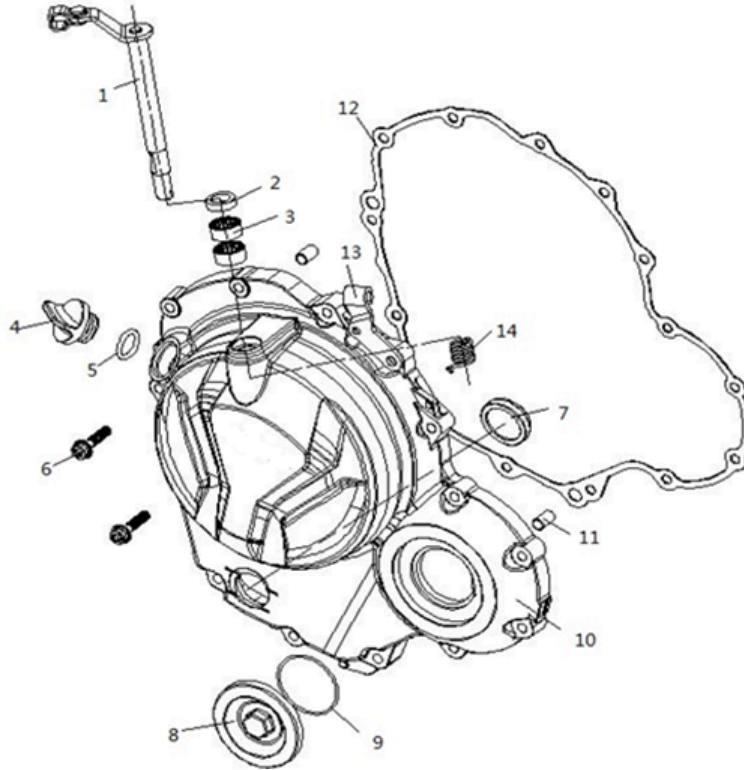
**6** Hexagon bolt with flange  
0/000.460.4501 (u. 4)

**STARTER MOTOR**



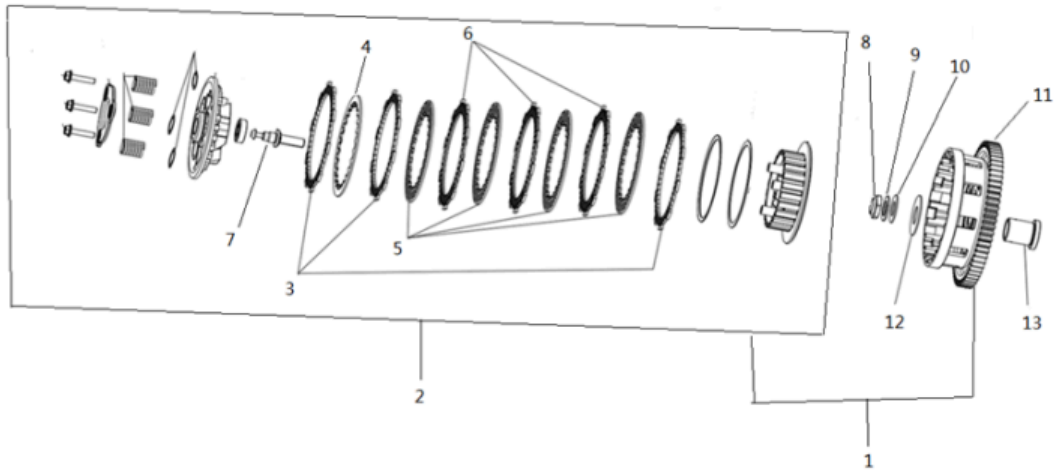
1	Disk gear 0/005.400.4402 (u. 1)
2	The ontology of the clutch 0/005.350.4408 (u. 1)
3	Dual gear 0/005.400.4403 (u. 1)
4	Dual gear shaft 0/000.190.4410 (u. 1)
5	Inner hexagon screw 0/000.460.4502 (u. 6)
6	MOTOR ASSY., STARTING 0/005.480.4401 (u. 1)
7	Hexagon bolt with flange 0/000.460.4477 (u. 2)

**CLUTCH COVER**



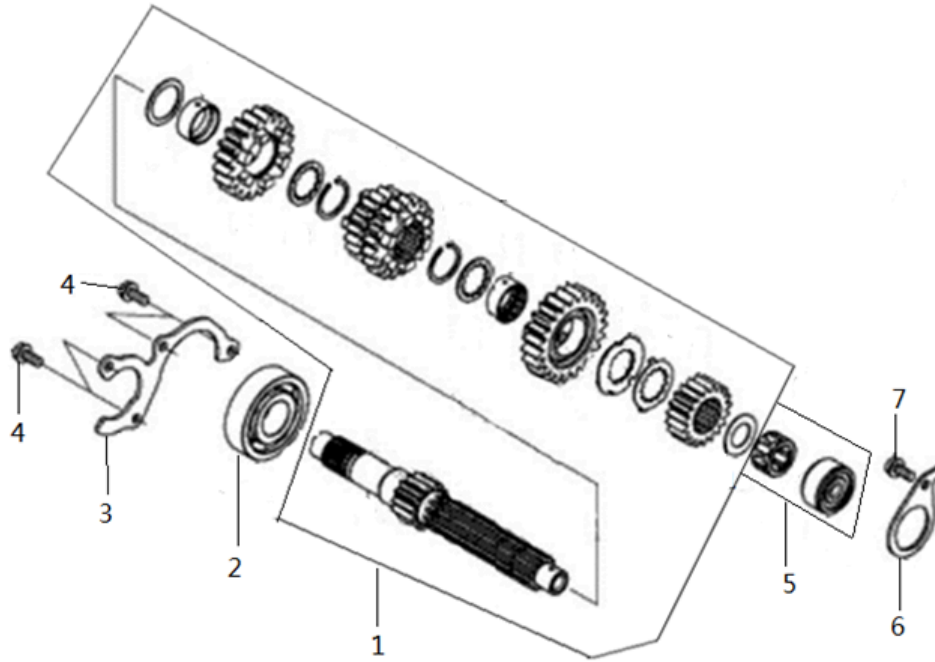
1	Clutch lever combination 0/005.430.4402 (u. 1)
2	Oil seal 0/000.890.4410 (u. 1)
3	Bearing 0/000.960.4417 (u. 2)
4	oil level gauge 0/000.410.4402 (u. 1)
5	Seal ring 0/000.360.4428 (u. 1)
6	Hexagon bolt with flange 0/000.460.4498 (u. 14)
7	The oil window 0/000.410.4404 (u. 1)
8	COVER,INSPECTION 0/000.410.4403 (u. 1)
9	Seal ring 0/000.360.4430 (u. 1)
10	Right crankcase cove 0/000.350.4411 (u. 1)
11	Locatin pin 0/000.840.4403 (u. 2)
12	Right crankcase cover gasket 0/000.490.4407 (u. 1)
13	Clutch brace plate 0/000.980.4421 (u. 1)
14	Torsional spring 0/000.470.4407 (u. 1)

**CLUTCH**



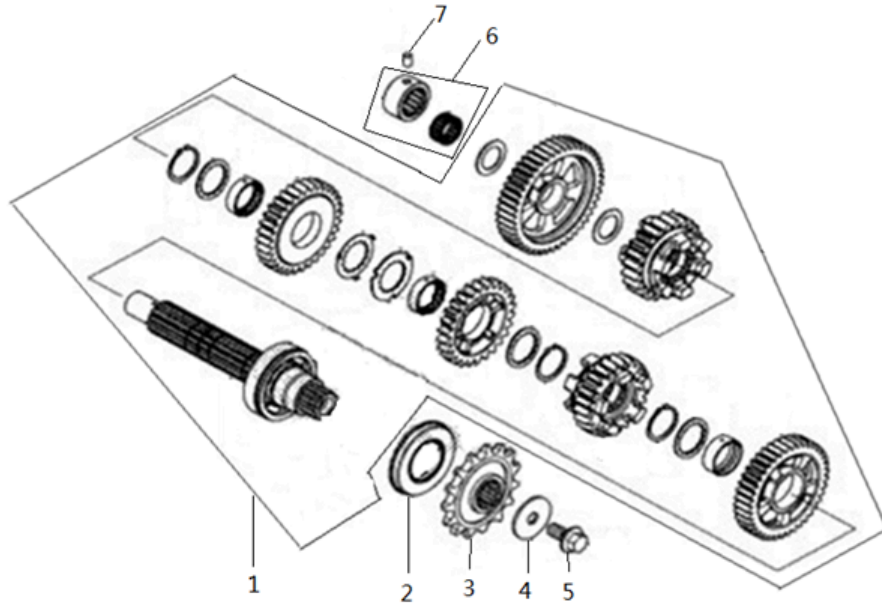
1	CLUTCH COMP.,SECONDARY 0/005.350.4401 (u. 1)
2	CENTER COMP.,CLUTCH 0/005.350.4402 (u. 1)
3	FRICION PLATE,DRIVE 0/005.350.4403 (u. 3)
4	FRICION PLATE,DRIVEN 0/005.350.4404 (u. 1)
5	FRICION PLATE,DRIVEN 0/005.350.4405 (u. 4)
6	FRICION PLATE,DRIVE 0/005.350.4406 (u. 3)
7	PUSH ROD 0/000.190.4406 (u. 1)
8	NUT,ROUND 0/000.340.4421 (u. 1)
9	WASHER,SAUCER 0/000.440.4423 (u. 1)
10	WASHER,PLAIN 0/000.440.4424 (u. 1)
11	OUTER COMP.,CLUTCH 0/005.350.4407 (u. 1)
12	WASHER,PLAIN 0/000.440.4425 (u. 1)
13	COLLAR 0/000.480.4422 (u. 1)

**MAIN SHAFT**



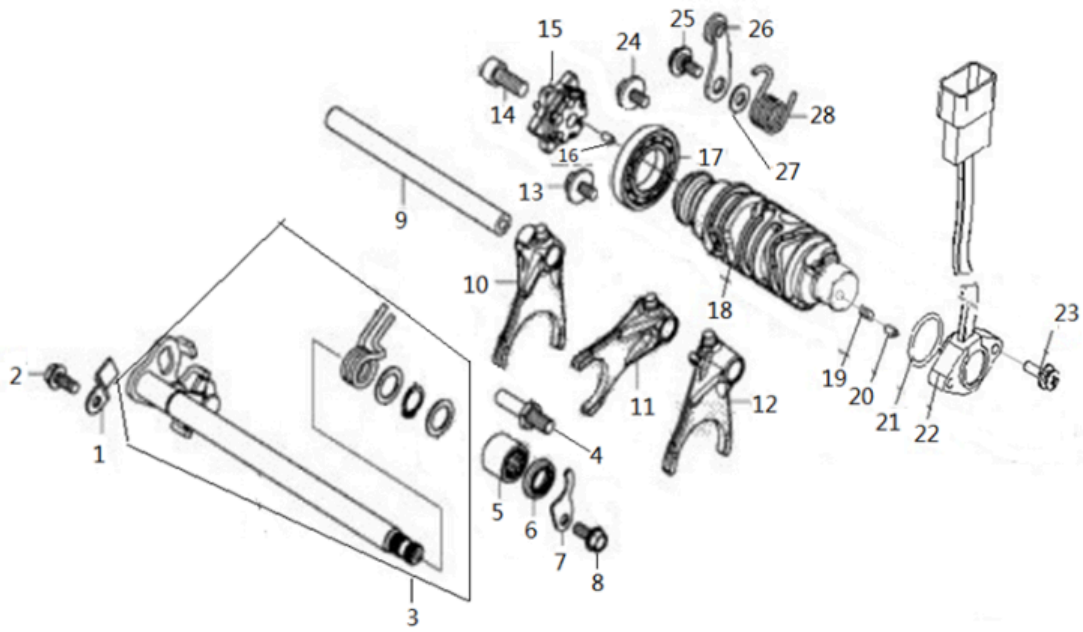
1	<p><b>MAINSHAFT COMP.</b> 0/005.400.4404 (u. 1)</p>
2	<p><b>Bearing</b> 0/000.960.4413 (u. 1)</p>
3	<p><b>Main shaft bearing plate</b> 0/000.980.4422 (u. 1)</p>
4	<p><b>Hexagon bolt with flange</b> 0/000.460.4479 (u. 2)</p>
5	<p><b>BEARING ASSY</b> 0/000.960.4414 (u. 1)</p>
6	<p><b>Main shaft bush plate</b> 0/000.980.4423 (u. 1)</p>
7	<p><b>Hexagon bolt with flange</b> 0/000.460.4492 (u. 1)</p>

**SECONDARY SHAFT**



1	COUNTERSHAFT COMP. 0/005.400.4405 (u. 1)
2	Oil seal 0/000.890.4411 (u. 1)
3	Counter shaft drive sprocket 0/005.400.4406 (u. 1)
4	Plain gasket 0/000.440.4422 (u. 1)
5	Hexagon bolt with flange 0/000.460.4493 (u. 1)
6	BEARING ASSY. 0/000.960.4418 (u. 1)
7	Pin shaft 0/000.190.4408 (u. 1)

**GEAR SHIFT**



1	Shift the limit board 0/000.980.4424 (u. 1)
2	Hexagon bolt with flange 0/000.460.4471 (u. 1)
3	ARM COMP.,GEAR CHANGE 0/005.010.4403 (u. 2)
4	Shift arm positioning bolt 0/000.460.4503 (u. 1)
5	Bearing 0/000.960.4415 (u. 1)
6	Oil seal 0/000.890.4409 (u. 1)
7	Gearshift spindle oil seal setting plate 0/000.980.4425 (u. 1)
8	Hexagon bolt with flange 0/000.460.4479 (u. 1)
9	Shifting fork shaft 0/000.190.4407 (u. 1)
10	Shifting fork 0/005.330.4401 (u. 1)
11	Shifting fork 0/005.330.4402 (u. 1)
12	Shifting fork 0/005.330.4403 (u. 1)
13	Bolt and plain combination 0/000.460.4494 (u. 2)
14	Inner hexagon screw 0/000.460.4495 (u. 1)
15	GEARSHIFT DRUM PLATE ASSY. 0/005.090.4401 (u. 1)
16	Pin shaft 0/000.190.4409 (u. 1)
17	Bearing 0/000.960.4416 (u. 1)

<b>18</b>	Variable speed drum 0/005.010.4404 (u. 1)
<b>19</b>	Pressure spring 0/000.470.4405 (u. 1)
<b>20</b>	Documents show contact 0/000.720.4407 (u. 1)
<b>21</b>	Seal ring 0/000.360.4427 (u. 1)
<b>22</b>	Gear display switch components 0/000.720.4406 (u. 1)
<b>23</b>	Combination of cross grooved bolt gasket 0/000.460.4496 (u. 2)
<b>24</b>	Bolt and plain combination 0/000.460.4494 (u. 2)
<b>25</b>	Locking plate bolt 0/000.460.4497 (u. 1)
<b>26</b>	Check plate combination 0/005.430.4403 (u. 1)
<b>27</b>	Plain gasket 0/000.440.4426 (u. 1)
<b>28</b>	Torsional spring 0/000.470.4406 (u. 1)